



VIEMO I

KAMADO
GRILL &
SMOKER

KAMADO: 4000 YEARS OF HISTORY

Dating back 4000 years ago archaeologists have discovered large clay vessels thought to be early incarnations of the Kamado ceramic cooker. Since then it has evolved in many ways; removable lid, added draft door for better heat control and the switch from wood to charcoal as the primary fuel. In Japan the Mushikamado was a round clay pot with a removable domed lid designed for steaming rice. The name 'Kamado' is, in fact, the Japanese word for 'stove' or 'cooking range'. This name was adopted by the Americans and has now become a generic term for this style of ceramic cooker.

Kamado cookers are extremely versatile. Not only can they be used for grilling or smoking but also pizzas, bread, pies and cookies can be baked effortlessly inside them. Due to their excellent heat retention properties, high temperatures can be achieved and maintained by precise control of airflow via the top and bottom vents. High temperatures are ideal for fast cooking burgers and sausages whilst low heats will cook larger joints over a longer period of time. Relax and enjoy your Viemoi Kamado. You will be pleased with your Viemoi Kamado, whether you use it to sear, cook, roast, or even smoke your food.



THE KAMADO FEATURES



Easy to light
and uses
charcoal



**Less quantity of
charcoal** needed
compared to a
conventional
smoker



Allows you to
quickly sear or
cook slowly



The food retains
its juices for
more flavor



Gives food a
**tasty wood
aroma**



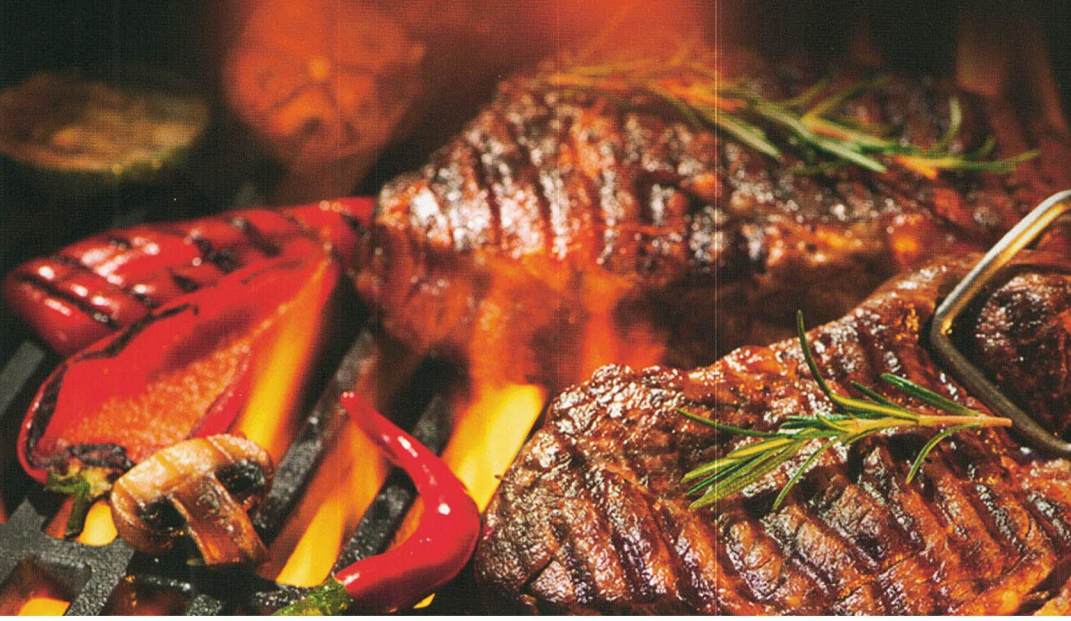
Allows **hours
of cooking** or
smoking at low
temperatures



**Prevents
flare-ups**



Produces
minimal ash,
makes it
easy to clean



THE VIEMOI KAMADO: A VERSATILE AND COMPLETE TOOL

YOU CAN
COOK



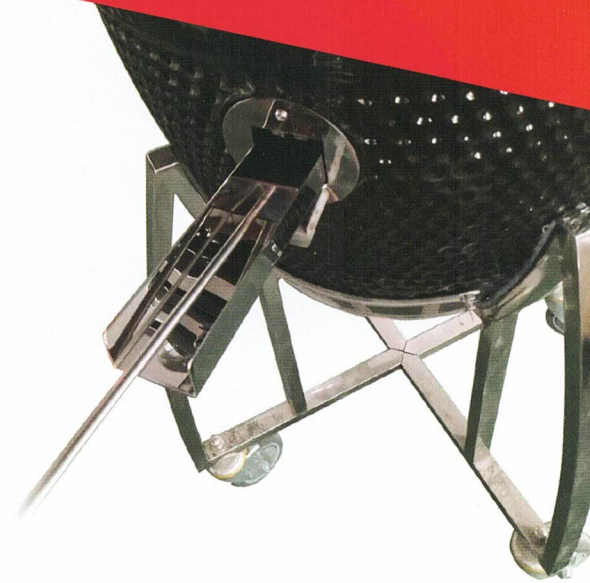
YOU CAN
GRILL



YOU CAN
ROAST



YOU CAN
SMOKE



SMOKING CHIPS TOOL

The **VIEMOI KAMADO** has an opening that makes it easy to add wood chips while smoking without having to move food or cooking grid.

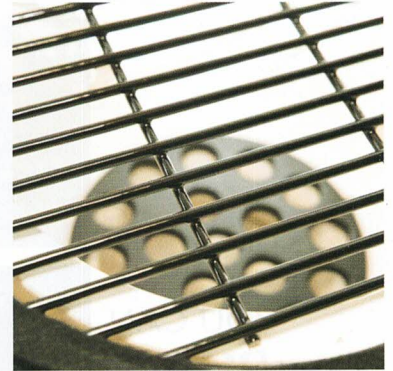




The **MINI 13" VIEMOI KAMADO** is a table top Kamado that can be carried. Its 13" diameter makes it practically essential for camping, RV or tailgating. Its 89-square-inch cooking grill allows to cook 2 or 3 pieces of meat at the same time. It is a convenient choice for active people who love good food.



VIEMOI KAMADO MINI

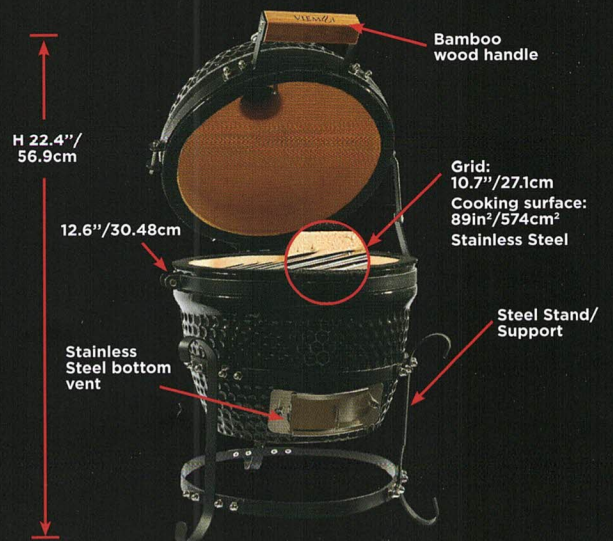


FEATURES

- Top Vent:**
Cast iron
- Handle:**
Bamboo
- Cooking Grid:**
Stainless Steel
- Fire Ring & Fire Box:**
Mullite
- Dome & Base:**
Mullite
- Stand:**
Steel Stand without wheel

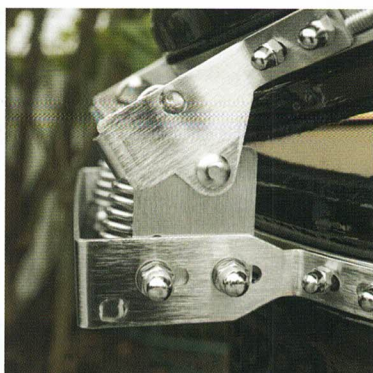
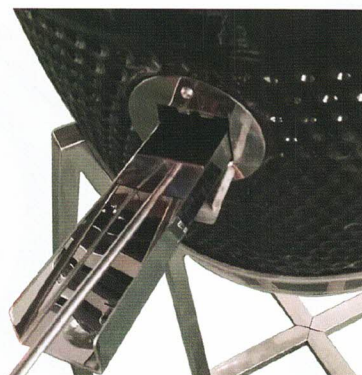
SPECIFICATIONS

- Diameter:**
12.6 in/32 cm
- Grid:**
10.7 in/27 cm
- Cooking Area:**
89 in²/574 cm²
- Operation Height:**
13.6 in/34.5 cm
- Product size (W x D x H):**
13.8 x 16 x 21.7 in
35 x 40.5 x 55 cm
- Weight:**
53 lb/27 kgs





VIEMOI KAMADO MEDIUM



The **MEDIUM 18" VIEMOI KAMADO** is a relatively compact cooker on a cart that has all the best advantages offered by ViemOI. It is perfect for a balcony, a patio, or tight spaces, making it a popular choice. Its sturdy stainless steel cart has lockable wheels.

FEATURES

Top Vent:

Cast iron

Side Table/Handle:

Bamboo

Cooking Grid:

Stainless Steel

Fire Ring & Fire Box:

Mullite

Dome & Base:

Mullite

Stand/Trolley:

Stainless Steel Trolley

SPECIFICATIONS

Diameter:

18 in/45.7 cm

Grid:

15.1 in/38.3 cm

Cooking Area:

179 in²/1154 cm²

Operation Height:

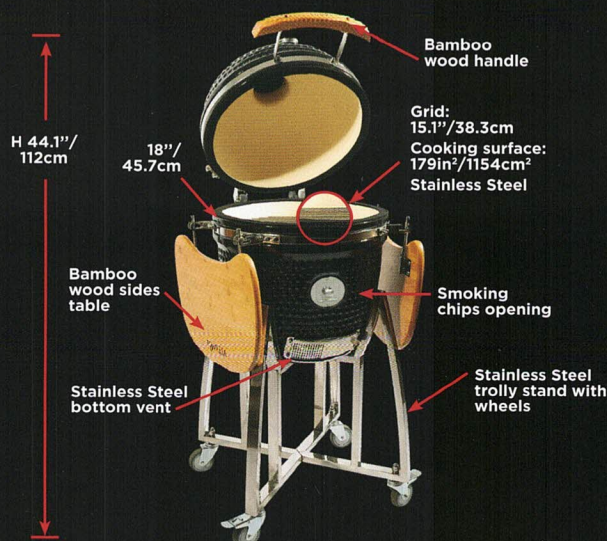
31.3 in/79.5 cm

Product size (W x D x H):

47.6 x 25.7 x 42.5 in
121 x 65.5 x 108 cm

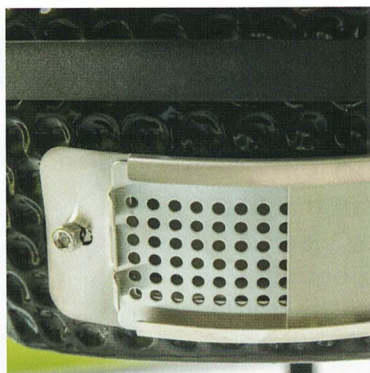
Weight:

141 lb/64 kgs





VIEMOI KAMADO LARGE



The **LARGE 21" VIEMOI KAMADO** is our most popular model. Its thick firebox traps moisture at any temperature and allows to smoke, resulting in juicy and tasty food cooked to perfection. Its weatherproof bamboo shelves can be folded or removed if needed.

FEATURES

Top Vent:
Cast iron

Side Table/Handle:
Bamboo

Cooking Grid:
Stainless Steel

Fire Ring & Fire Box:
Mullite

Dome & Base:
Mullite

Stand/Trolley:
Stainless Steel Trolley

SPECIFICATIONS

Diameter:
21.7 in/55 cm

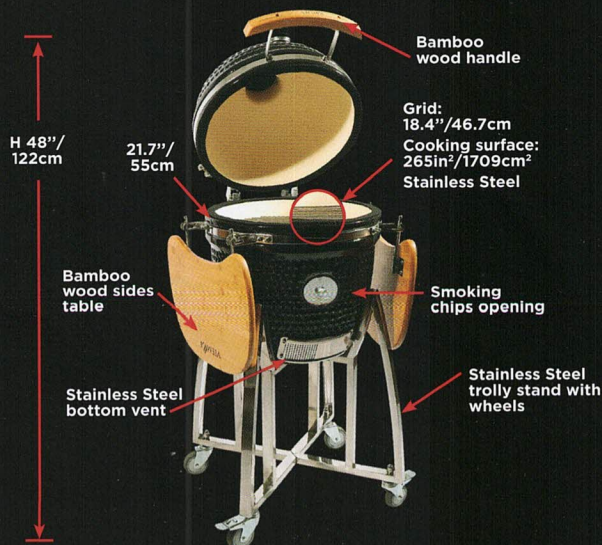
Grid:
18.4 in/46.7 cm

Cooking Area:
265 in²/1709 cm²

Operation Height:
35.8 in/91 cm

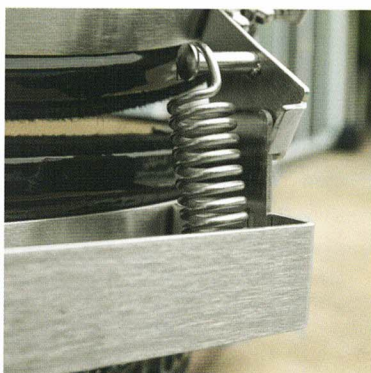
Product size (W x D x H):
51.2 x 28.7 x 48 in
130 x 73 x 122 cm

Weight:
117 lb/77 kgs





VIEMOI KAMADO X-LARGE



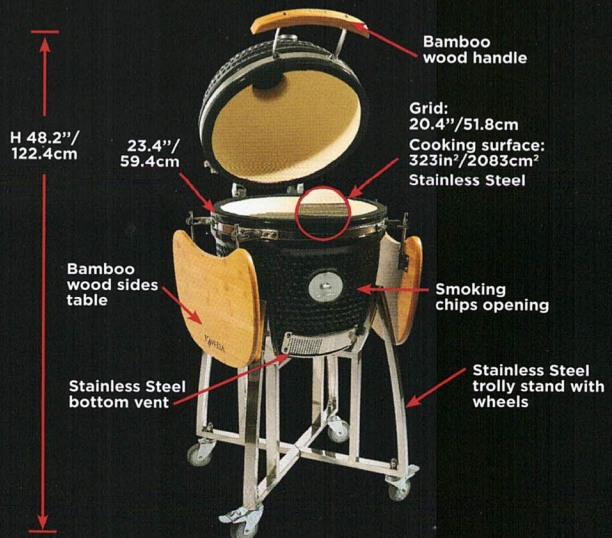
The **X-LARGE 23.5" VIEMOI KAMADO** is our biggest model making it number one choice for large families or groups. Its 323-square-inch stainless steel cooking surface allows large pieces of meat to be cooked. It also has a sturdy stainless steel cart with easy-moving wheels. It can be equipped with the Viemoi raised cooking grid to maximize its efficiency.

FEATURES

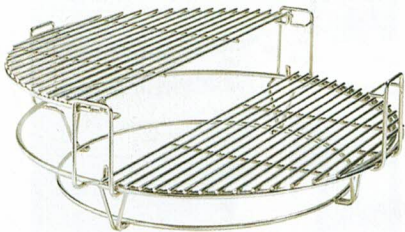
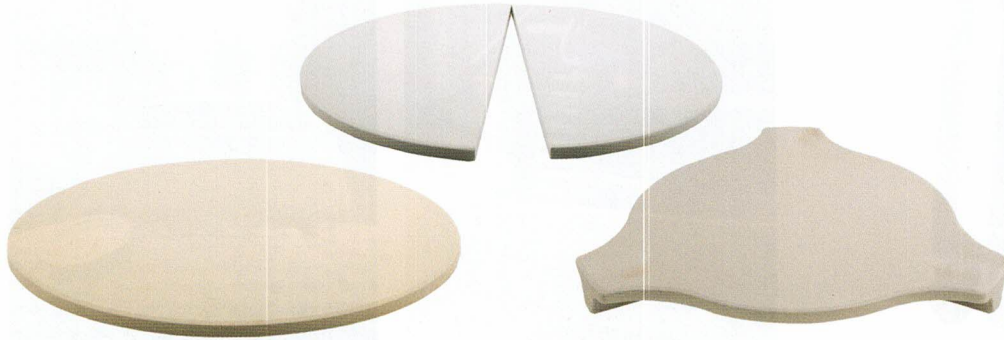
- Top Vent:**
Cast iron
- Side Table/Handle:**
Bamboo
- Cooking Grid:**
Stainless Steel
- Fire Ring & Fire Box:**
Mullite
- Dome & Base:**
Mullite
- Stand/Trolley:**
Stainless Steel Trolley

SPECIFICATIONS

- Diameter:**
23.5 in/59.9 cm
- Grid:**
20.4 in/51.8 cm
- Cooking Area:**
323 in²/2083 cm²
- Operation Height:**
35.8 in/91 cm
- Product size (W x D x H):**
52.8 x 31.9 x 48 in
134 x 81 x 122 cm
- Weight:**
222.7 lb/101 kgs



VIEMOI KAMADO ACCESSORIES



ASK your authorized Viemoi dealer for all the available accessories for your Viemoi Kamado Grill and Smoker.



AUTHORIZED DEALER:

Imported by:



Groupe Multi Distribution Inc (GMD)
Granby, Quebec J2J2P1