



# Model DCC

Links the WOODSTOVE and the INSULATED CHIMNEY SYSTEM

# Model DCC Double Wall Stove Pipe

## TABLE OF CONTENTS

---

Introduction/Construction Features.....	3
Pipe Section .....	4
Adjustable Length.....	4
Universal Finishing Band.....	5
Two Piece Telescoping Section .....	5
Double Wall Connector Kit.....	5
90° Elbow.....	6
45° Elbow.....	6
30° Elbow.....	6
Tee .....	6
Stove Adapter .....	7
Increaser.....	7
Masonry Adapter.....	7
Oval-To-Round Adapter .....	7
Vertical Support Installation For Model DCC.....	8
Wall Support Installation for Model DCC .....	8
DCC Offset Chart .....	8

## Double Wall Black Stove Pipe

### Chimney Connector System

#### INTRODUCTION

##### MODEL DCC DOUBLE WALL STOVE PIPE

Model DCC is a premium quality system designed to provide better insulating value for superior wood stove performance. Double Wall Stove Pipe allows for reduced clearances to combustible materials and longer life than common single wall connector pipe.

The Model DCC is tested to UL103 and ULC-S641 with a 6" clearance on all diameters, and all configurations.

#### CONSTRUCTION FEATURES

##### MODEL DCC DOUBLE WALL STOVE PIPE

- Stainless Steel inner liner
- Air-insulated, double wall design
- Matte black finish – Forrest Stove Bright 1A54H206, touch-up paint AVD-PTU
- Easy to install and inspect screw joint assembly
- Drip-free design to prevent creosote leakage
- Components individually wrapped



1A54H206  
Black Touch-up Paint  
AVD-PTU



# Model DCC Double Wall Stove Pipe

## PIPE SECTION



- DCC-6**
- DCC-12**
- DCC-18**
- DCC-24**
- DCC-36**
- DCC-48**

- 6", 12", 18", 24", 36", and 48" lengths
- Stainless Steel inner liners
- Easy to install and disassemble screw-joint assembly
- For installed length - subtract 1 1/4"

Part No.	Size	ID	OD
6DCC-6, 12, 18, 24, 36, 48-BK	6"	6"	7"
8DCC-6, 12, 18, 24, 36, 48-BK	8"	8"	9"

## ADJUSTABLE LENGTH



### DCC-18A

- Adjustable length
- 18" section
- Slips over pipe section for adjustments from 3" to 15"

### DCC-12A

- Adjustable length
- 12" section
- Slips over pipe section for adjustments from 3" to 9"

### DCC-6A

- Adjustable length
- 6" section
- Slips over pipe section for adjustments from 2 1/2" to 5"

Part No.	Size	ID	OD
6DCC-18A-BK	6"	6"	7"
8DCC-18A-BK	8"	8"	9"
6DCC-12A-BK	6"	6"	7"
8DCC-12A-BK	8"	8"	9"
6DCC-6A-BK	6"	6"	7"
8DCC-6A-BK	8"	8"	9"

# Model DCC Double Wall Stove Pipe

## DCC-FB

- Used to conceal the connecting joint at the chimney adapter

Part No.	Size	Pack
DCC-FB-BK	All	1

## UNIVERSAL FINISHING BAND



## DCC-TS5

- Two-piece telescoping section
- 5-foot length
- Telescopes between stove and support
- Adjustments from 3 1/2' to 5 1/2'

Part No.	Size	ID	OD
6DCC-TS5-BK	6"	6"	7"
8DCC-TS5-BK	8"	8"	9"

## TWO PIECE TELESCOPING SECTION



## DCC-K

The kit includes two 24" pipe sections, one 18" adjustable length and one stove adapter. Kits are available in 6" and 8" sizes to accommodate vertical installations up to 66".

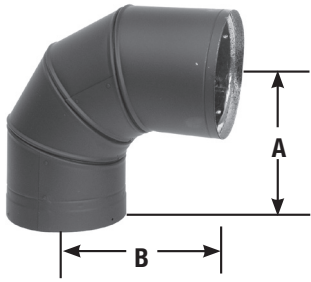
Part No.
6DCC-K-BK
8DCC-K-BK

## DOUBLE WALL CONNECTOR KIT



# Model DCC Double Wall Stove Pipe

## 90° ELBOW



### DCC-90

Fixed 90° elbow is used to offset connector pipe toward the insulated chimney system.

Part No.	Size	A	B
6DCC-90-BK	6"	9 1/4"	10"
8DCC-90-BK	8"	11 1/4"	12"

## 45° ELBOW



### DCC-45

Fixed 45° elbow is used to offset connector pipe toward the insulated chimney system.

**See page 8 for Offset Chart.**

Part No.	Size	A	B
6DCC-45-BK	6"	4 1/2"	5"
8DCC-45-BK	8"	4 3/4"	6"

## 30° ELBOW

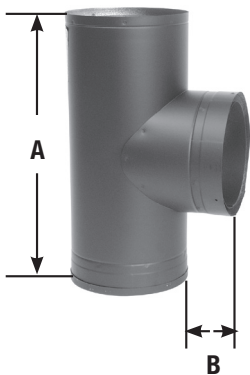


### DCC-30

Fixed 30° Elbow is used to offset connector pipe toward the insulated chimney system.

Part No.	Size	A	B
6DCC-30-BK	6"	3 11/16"	4 1/16"
8DCC-30-BK	8"	3 11/16"	4 1/16"

## TEE



### DCC-T

- Tee is used where stove pipe connection is made at the rear of the appliance.
- Tee Cap is included.

Part No.	Size	A	B
6DCC-T-BK	6"	16"	3"
8DCC-T-BK	8"	17"	3"

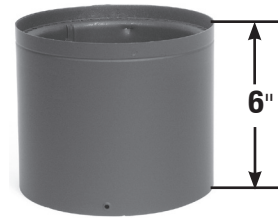
# Model DCC Double Wall Stove Pipe

## DCC-SA

6" high adapter fits over tall stove collars.

Part No.	Size
6DCC-SA-BK	6"
8DCC-SA-BK	8"

## STOVE ADAPTER



## 6XDCC-7

## 6XDCC-8

The 6XDCC-8 may be used at either the top or bottom of DCC stove pipe to increase a 6" DCC to an 8" DCC. The 6XDCC-7 to be used at the top of DCC stove pipe to increase the 6" DCC to a 7" chimney system.

Part No.	Size
6XDCC-8-BK	6" to 8"
6XDCC-7-BK	6" to 7"

## INCREASER

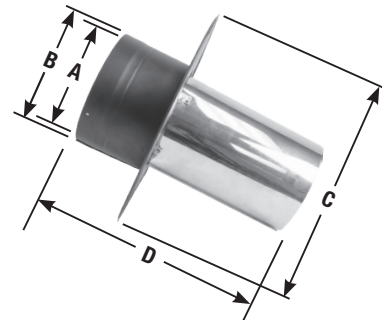


## DCC-MA

- For installations through a masonry wall
- Used to connect Double Wall Stove Pipe to an existing masonry chimney or a relined masonry chimney with stainless steel liner

Part No.	Size	A	B	C	D	Pack
6DCC-MA	6"	6"	7"	14"	13 5/8"	1
8DCC-MA	8"	8"	9"	14"	13 5/8"	1

## MASONRY ADAPTER



## DCC-ORA

- Used to convert 8" Oval Flue outlets to 8" Round DCC Stove Pipe
- Secure with screws

Part No.	Size	A	B	C	Pack
8DCC-ORA-BK	8"	12 1/2"	9 1/4"	10"	1

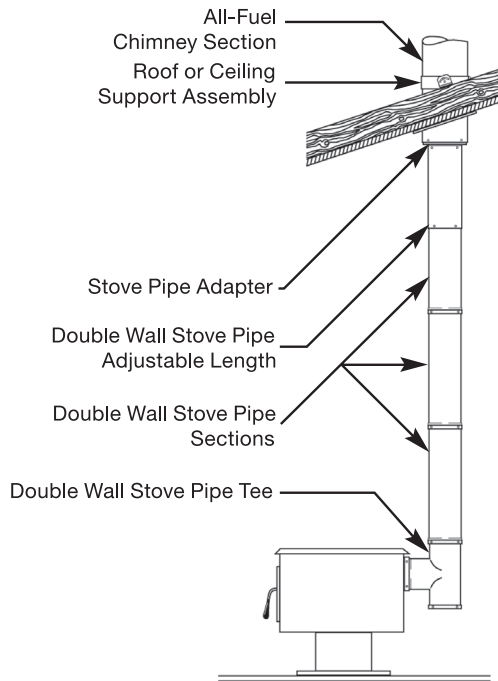
## OVAL-TO-ROUND ADAPTER



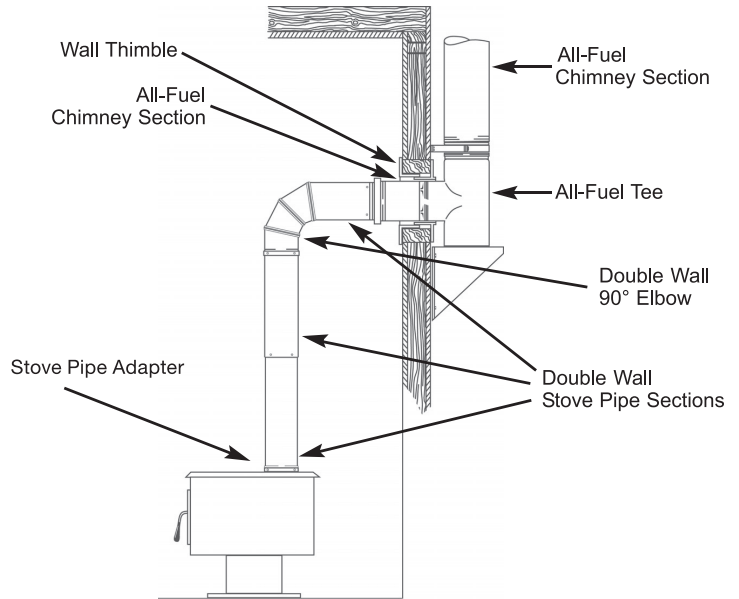
# Model DCC Double Wall Stove Pipe

## Typical Installations

### VERTICAL SUPPORT INSTALLATION FOR MODEL DCC

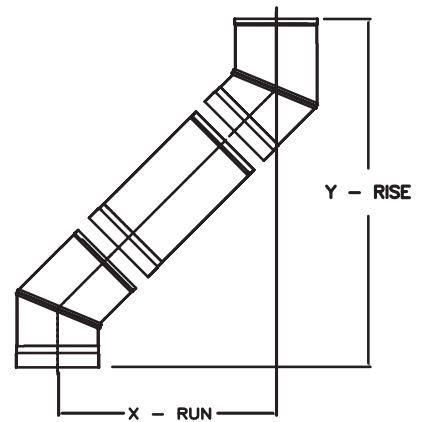


### VERTICAL SUPPORT INSTALLATION FOR MODEL DCC



### DCC OFFSET CHART

6" Diameter DCC with (2) 45° Elbows			8" Diameter DCC with (2) 45° Elbows		
Pipe Length	X - Run	Y - Rise	Pipe Length	X - Run	Y - Rise
0"	5 1/2"	13 1/4"	0"	6 7/8"	16 5/8"
12"	13 1/16"	20 13/16"	12"	14 1/2"	24 1/4"
18"	17 5/16"	25 1/16"	18"	18 3/4"	28 1/2"
24"	21 1/2"	29 5/16"	24"	23"	32 3/4"
36"	30"	37 3/4"	36"	31 1/2"	41 3/16"
48"	38 1/2"	46 1/4"	48"	39 15/16"	49 11/16"





# Notes

---

A series of horizontal red lines for taking notes.

# Notes

---

A series of 30 horizontal red lines for writing notes.



# Model DCC

For training, detailed product information, downloadable catalogs and installation instructions visit our website:

[selkirkcorp.com](http://selkirkcorp.com)



## United States

5030 Corporate Exchange Blvd.  
Grand Rapids, MI 49512

phone: 1.800.992.VENT (8368)  
email: [info@selkirkcorp.com](mailto:info@selkirkcorp.com)

[selkirkcorp.ca](http://selkirkcorp.ca)



## Canada

375 Green Road  
Stoney Creek, ON L8E 4A5

phone: 1.888.SELKIRK (735.5475)  
email: [cscanada@selkirkcorp.com](mailto:cscanada@selkirkcorp.com)

## Complete Linecard



residential chimney



roof curbs & equipment rails



access doors



rooftop products\*



residential vent



filters\*



duct components



flexible air duct\*



grilles, registers, diffusers



commercial industrial vent