

# Ultimate ne™

ALL-FUEL CHIMNEY FOR HEARTH PROFESSIONALS



Listed per CAN/ULC-S629 and UL 103HT



WOOD



GAS



OIL



COAL



# UltimateONE™ All-Fuel Chimney

## GENERAL SPECIFICATIONS

UltimateONE factory-built chimney has been laboratory tested and listed by Intertek Testing Services at temperatures up to 2100°F (1150°C) with solid fuel, gas and oil-fired residential and building heating appliances in accordance with the following Safety Standards; CAN/ULC-S629 in Canada and UL 103 Type HT in the USA.

TESTED TEMPERATURES	CANADA	USA
Continuous flue gas temperature	650°C (1200°F)	1000°F
Over Firing (for a duration of 60 minutes)	925°C (1700°F)	1400°F
Creosote Burn Out Test		
(3 x 30 minutes - CANADA)	1150°C (2100°F)	2100°F
(3 x 10 minutes - USA)		

UltimateONE chimney (6", 7" and 8" inner diameter sizes) may be used for all solid wood, gas and oil-fired residential appliances including cooking ranges, heating stoves, fireplaces, central furnaces, floor furnaces, steam and hot water boilers, recessed heaters, unit heaters and water heaters.

UltimateONE may also be used for masonry fireplaces and domestic type incinerators.

UltimateONE's supports are capable of supporting **four times** the combined weight of the chimney installation, at the maximum height given for the specific support.

Chimneys passing through occupied portions of the building must be enclosed with a 2" air space clearance maintained. Such enclosures must be firestopped at every floor penetration with UltimateONE parts designed for this purpose.

## Framing and Support Table

UltimateONE Chimney	Dimensional Data (inches)		
Size, inches, inside	6	7	8
Outside diameter	8	9	10
Round Ceiling/Cathedral Support Framing*			
	10 <sup>3</sup> / <sub>8</sub> x 10 <sup>3</sup> / <sub>8</sub>	11 <sup>3</sup> / <sub>8</sub> x 11 <sup>3</sup> / <sub>8</sub>	12 <sup>3</sup> / <sub>8</sub> x 12 <sup>3</sup> / <sub>8</sub>
Square Ceiling/Cathedral Support Framing**			
	10 <sup>3</sup> / <sub>8</sub> x 10 <sup>3</sup> / <sub>8</sub>	11 <sup>3</sup> / <sub>8</sub> x 11 <sup>3</sup> / <sub>8</sub>	12 <sup>3</sup> / <sub>8</sub> x 12 <sup>3</sup> / <sub>8</sub>
All other framing	12 x 12	13 x 13	14 x 14
Approx. weight, lbs./ft.	4.5	5.5	6.2
<b>Maximum Height For All Supporting Methods (Feet)</b>			
Ceiling/Cathedral Support	54	48	42
Universal Wall/Resupport	28	25	20
Wall Support***	62	55	49
Universal Roof Support	30	26	23
Anchor Plate (AP)	60	60	60

### Minimum Clearance To Combustibles 2 inches Minimum All Sizes

\* The clearance to combustibles obtained with a correctly installed Ceiling Support Assembly in the framed opening specified has been tested. The 2" clearance does not apply at this location.

\*\* For Cathedral Ceiling application a rectangular opening must be prepared to suit the pitch of the roof.

\*\*\* The Wall Support (WSP) is designed for 16 inch on center construction.

## UltimateONE Chimney Features & Benefits

### Thermal Reduction Spacer:

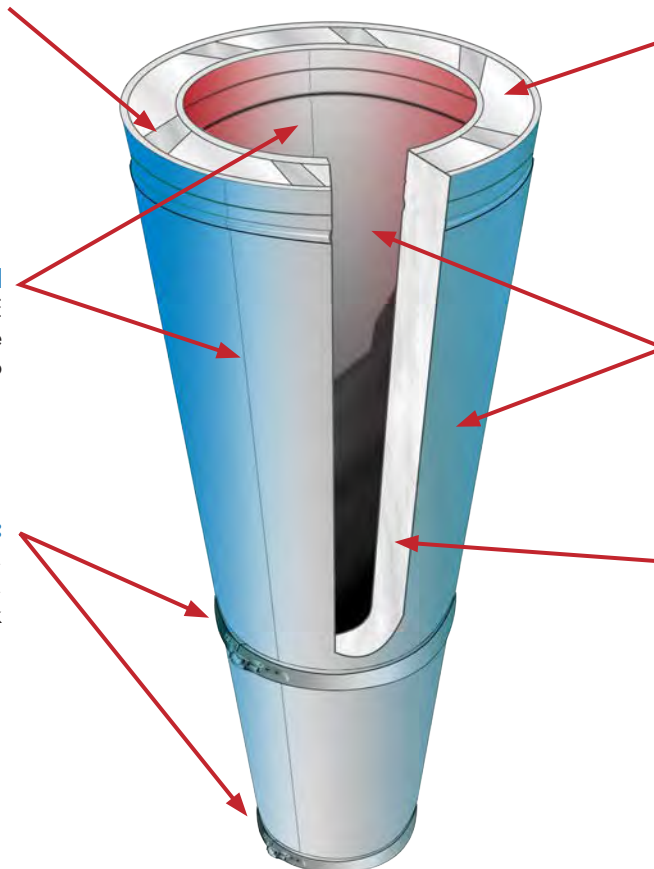
Allows for expansion of the inner and outer pipes without fear of buckling in the event of a chimney fire. It also significantly reduces heat transfer at the joint.

### Our continuous - welded seams

give the UltimateONE Chimney exceptional strength while eliminating moisture penetration into the insulation.

### Latch-type Locking Band:

Included with each insulated length, tee and elbow, engages quickly, simply by latching to positively lock together each of the components. No tools required.



### Insulation-to-Insulation Contact:

Creates a continuous column of protection which eliminates cold air infiltration at every chimney joint. This feature significantly reduces the formation of creosote and therefore the potential for chimney fires.

### 304 Stainless Steel Construction:

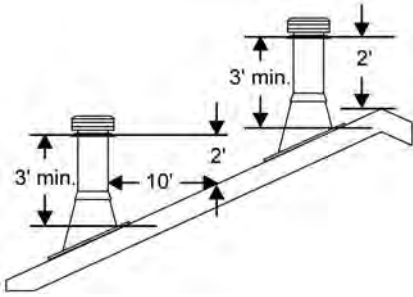
Used for both the inner liner and outer casing for superior resistance to corrosion. 316 inner material available in 6".

### Solid-Pack Insulation:

Provides maximum safety and performance. UltimateONE chimneys contain one full inch of insulation for superior insulating value and fire protection. UltimateONE's unique solid-pack design helps keep flue temperatures high (performance) and outer temperatures low (safety).

## STAINLESS STEEL CHIMNEY LENGTHS

### HEIGHT REQUIREMENTS

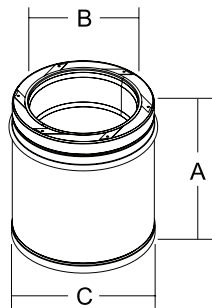


The chimney must extend at least three feet above the highest point where it passes through the roof surface and at least two feet higher than any part of the building within a horizontal distance of ten feet.

### CHIMNEY SECTIONS



48" Length



9" Length

- Each length includes a Latch Locking Band
- Sectional overlap of 1"
- Chimneys are sized according to the inner diameter and are available in 6", 7" and 8".
- Chimney sections are available in 48", 36", 24", 18", 12", 9" & 6" lengths.
- Inner liner also available in 316 stainless steel 6" diameter.

Product #	Part #	Size	A	B	C
<b>1 Per Carton</b>					
0821606	6U1-6	6" x 6"	6"	6"	8"
0821606-316	6U1-6-316				
0821406	6U1-9	6" x 9"	9"	6"	8"
0821406-316	6U1-9-316				
0821206	6U1-12	6" x 12"	12"	6"	8"
0821206-316	6U1-12-316				
0821106	6U1-18	6" x 18"	18"	6"	8"
0821106-316	6U1-18-316				
0821006	6U1-24	6" x 24"	24"	6"	8"
0821006-316	6U1-24-316				
0820306	6U1-36	6" x 36"	36"	6"	8"
0820306-316	6U1-36-316				
0820406	6U1-48	6" x 48"	48"	6"	8"
0820406-316	6U1-48-316				
<b>1 Per Carton</b>					
0821607	7U1-6	7" x 6"	6"	7"	9"
0821407	7U1-9	7" x 9"	9"	7"	9"
0821207	7U1-12	7" x 12"	12"	7"	9"
0821107	7U1-18	7" x 18"	18"	7"	9"
0821007	7U1-24	7" x 24"	24"	7"	9"
0820307	7U1-36	7" x 36"	36"	7"	9"
0820407	7U1-48	7" x 48"	48"	7"	9"
<b>1 Per Carton</b>					
0821608	8U1-6	8" x 6"	6"	8"	10"
0821408	8U1-9	8" x 9"	9"	8"	10"
0821208	8U1-12	8" x 12"	12"	8"	10"
0821108	8U1-18	8" x 18"	18"	8"	10"
0821008	8U1-24	8" x 24"	24"	8"	10"
0820308	8U1-36	8" x 36"	36"	8"	10"
0820408	8U1-48	8" x 48"	48"	8"	10"

## STAINLESS STEEL CHIMNEY LENGTHS *continued*

- Used to adjust the system to an exact overall length
- Used also between elbows for a required offset distance
- All Stainless Steel construction with telescoping design
- Locking Band included
- Inner liner also available in 316 stainless steel 6" diameter.

Product #	Part #	Size	A	B	C
<b>6", 7", 8" ADJUSTABLE CHIMNEY LENGTH -</b>					
1 Per Carton					
0821506	6U1-AL18	6"	6"	8"	6.5"-17"
0821506-316	6U1-AL18-316				
0821507	7U1-AL18	7"	7"	9"	6.5"-17"
0821508	8U1-AL18	8"	8"	10"	6.5"-17"

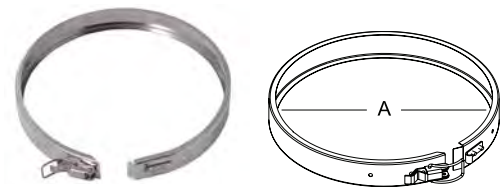
- All Stainless Steel construction
- Latch-type locking mechanism
- Simply latches to positively lock into place (no tools required)

Product #	Part #	Size	A
10 Per Carton			
0829306	6U1-LB	6"	8.15"
0829307	7U1-LB	7"	9.15"
0829308	8U1-LB	8"	10.15"

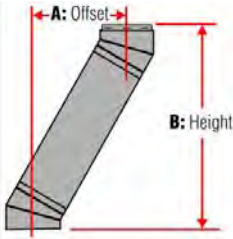
### ADJUSTABLE LENGTH



### LOCKING BANDS



## STAINLESS STEEL ELBOWS

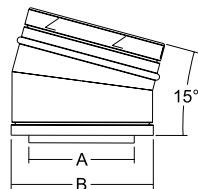


A pair of elbows can be used to provide a sloped offset of 15° and 30°. An offset data table is supplied to determine the offset dimension and the offset height.

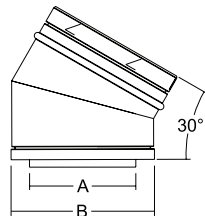
The vertical run of chimney above an offset must be supported using an Interior Resupport Assembly (U1-UIRA) securely clamped to the pipe just above a Locking Band (U1-LB), with its straps nailed to a nearby structure.

### INSULATED ELBOWS

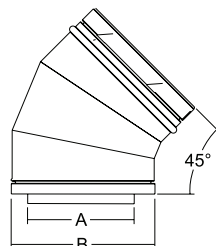
- Used when an offset is required
- Maximum of 8' is allowable between offsets
- Fully insulated and can be used at the same 2" clearance as chimney lengths
- Must be supported with an Interior Resupport Assembly
- Can be rotated to attain optimum positioning offset, and allow chimney to return to correct vertical alignment, prior to installing Locking Bands



15° Elbow



30° Elbow



45° Elbow (Canada Only)

Elbow	Length	6" Diameter		7" Diameter		8" Diameter	
		A	B	A	B	A	B
2 x 15°	NONE	1-1/2"	11-1/2"	1-1/2"	11-3/4"	1-5/8"	12"
2 x 15°	6"	3"	16-7/8"	3"	17-1/8"	3"	17-3/8"
2 x 15°	9"	3-3/4"	19-3/4"	3-3/4"	20"	3-3/4"	20-1/4"
2 x 15°	12"	4-1/2"	22-5/8"	4-1/2"	22-7/8"	4-5/8"	23-1/8"
2 x 15°	18"	6"	28-3/8"	6-1/8"	28-5/8"	6-1/8"	28-7/8"
2 x 15°	24"	7-5/8"	34-1/4"	7-5/8"	34-1/2"	7-5/8"	34-3/4"
2 x 15°	36"	10-3/4"	45-3/4"	10-3/4"	46-1/8"	10-3/4"	46-3/8"
2 x 15°	48"	13-7/8"	57-3/8"	13-7/8"	57-5/8"	13-7/8"	57-7/8"
2 x 30°	NONE	3-3/8"	12-1/2"	3-1/2"	13"	3-5/8"	13-1/2"
2 x 30°	6"	6-1/8"	17-1/4"	6-1/4"	17-1/8"	6-3/8"	18-1/4"
2 x 30°	9"	7-5/8"	19-7/8"	7-3/4"	20"	7-7/8"	20-7/8"
2 x 30°	12"	9-1/8"	22-3/8"	9-1/4"	22-7/8"	9-3/8"	22-3/8"
2 x 30°	18"	12-1/8"	27-5/8"	12-1/4"	28-5/8"	12-3/8"	28-5/8"
2 x 30°	24"	15-1/8"	32-7/8"	15-1/4"	34-1/2"	15-3/8"	33-7/8"
2 x 30°	36"	21-1/8"	46-1/4"	21-1/4"	46-1/8"	21-3/8"	44-1/4"
2 x 30°	48"	27-1/8"	53-5/8"	27-1/4"	57-5/8"	27-3/8"	54-5/8"
2 x 45°	NONE	6"	14-5/8"	6-1/8"	14-7/8"	6-2/8"	15-2/8"
2 x 45°	6"	9-7/8"	18-1/2"	10"	18-7/8"	10-1/4"	19-1/8"
2 x 45°	9"	12"	20-5/8"	12-1/8"	21"	12-3/8"	21-1/4"
2 x 45°	12"	14-1/8"	22-3/4"	14-1/4"	23-1/8"	14-4/8"	23-3/8"
2 x 45°	18"	18-3/8"	27"	18-1/2"	27-3/8"	18-5/8"	27-5/8"
2 x 45°	24"	22-5/8"	31-1/4"	22-3/4"	31-5/8"	22-7/8"	31-7/8"
2 x 45°	36"	31-1/8"	39-3/4"	31-1/4"	40-1/8"	31-3/8"	40-3/8"
2 x 45°	48"	39-5/8"	48-1/4"	39-3/4"	48-1/2"	39-7/8"	48-7/8"

All measurements in chart are in inches. Construction tolerances are ± one inch.

### INSULATED ELBOW KITS INCLUDE:

- (2) Elbows
- (2) Locking Bands
- (1) Interior Resupport Assembly
- Inner liner also available in 316 stainless steel 6" diameter.

Product #	Part #	Size	A	B
<b>15° ELBOW KIT - 1 Per Carton</b>				
0822406	6U1-EL15K	6"	6"	8"
0822406-316	6U1-EL15K-316			
0822407	7U1-EL15K	7"	7"	9"
0822408	8U1-EL15K	8"	8"	10"
<b>30° ELBOW KIT - 1 Per Carton</b>				
0822306	6U1-EL30K	6"	6"	8"
0822306-316	6U1-EL30K-316			
0822307	7U1-EL30K	7"	7"	9"
0822308	8U1-EL30K	8"	8"	10"
<b>45° ELBOW KIT* (Canada Only) - 1 Per Carton</b>				
0822506	6U1-EL45K	6"	6"	8"
0822507	7U1-EL45K	7"	7"	9"
0822508	8U1-EL45K	8"	8"	10"

\*45° Elbow kit is for connection to liquid or gas fired appliances normally producing flue gases of 540°C. May also be installed with specific CAN-ULC-S610 Factory-Built Fireplaces where specified in the fireplace manufacturer's installation instructions.

## Tee Components

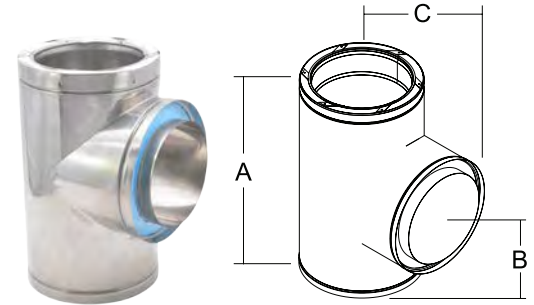
- Used for a through-the-wall installation using a Wall Support
- A chimney length is attached to the tee branch using a Locking Band to pass safely through a wall
- Maximum height of chimney supported by the Insulated Tee fixed to a Wall Support is variable depending on the Wall Support type selected
- Inner liner also available in 316 stainless steel 6" diameter.

Product #	Part #	Size	A	B	C
<b>1 Per Carton</b>					
Includes: Tee and Tee Cap					
0824306 0824306-316	6U1-IT 6U1-IT-316	6"	16"	8.8"	6.5"
0824307	7U1-IT	7"	14.7"	8.3"	6"
0824308	8U1-IT	8"	13.5"	7.6"	5.5"

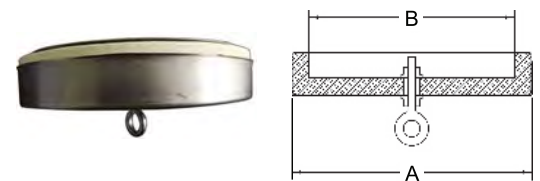
- Used to seal the base of an Insulated Tee
- Easily removed for chimney maintenance or inspection
- Insulated to maintain flue gas temperatures
- Inner liner also available in 316 stainless steel 6" diameter.

Product #	Part #	Size	A	B
<b>10 Per Carton</b>				
0814506 0814506-316	6U1-ITC 6U1-ITC-316	6"	8"	6"
0814507	7U1-ITC	7"	9"	7"
0814508	8U1-ITC	8"	10"	8"

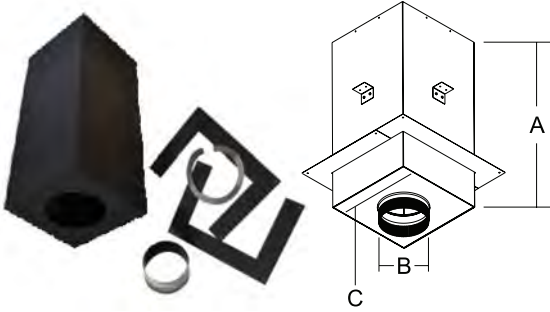
### INSULATED TEE



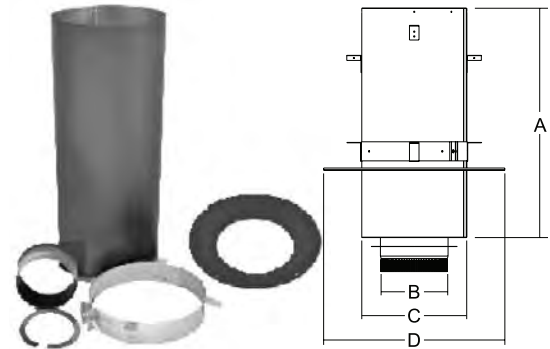
### INSULATED TEE CAP



**CEILING/CATHEDRAL SUPPORT**



Ceiling/Cathedral Support - Square



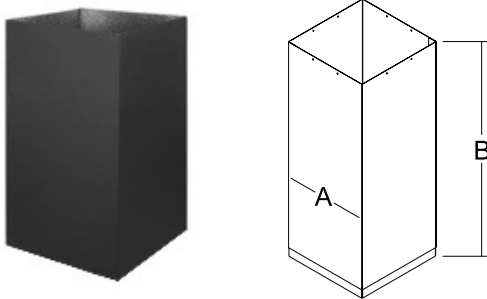
Ceiling/Cathedral Support - Round

- Used to support the chimney from a flat or cathedral ceiling
- Will support up to 54' of chimney
- Decorative matte black finish

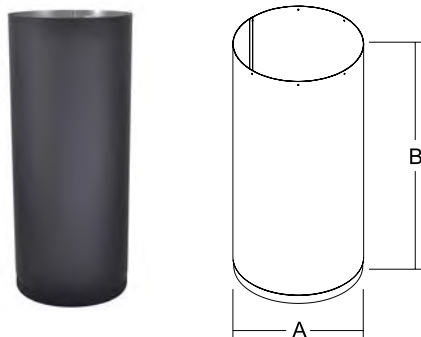
Product #	Part #	Size	A	B	C	Support Capacity
<b>SUPPORT - SQUARE - 1 Per Carton</b> <i>Includes: Ceiling Support, Trim Plate, Smoke Pipe Adapter, (4) Tabs</i>						
0842806	6U1-SBCS	6"	24"	6"	10.25"	54'
0842807	7U1-SBCS	7"	24"	7"	11.25"	48'
0842808	8U1-SBCS	8"	24"	8"	12.25"	42'

Product #	Part #	Size	A	B	C	D	Support Capacity
<b>SUPPORT - ROUND - 1 Per Carton</b> <i>Includes: Ceiling Support, Support Collar, Smoke Pipe Adapter, Cutting Template, Trim Plate</i>							
0844606	6U1-RBCS	6"	24"	6"	10"	19"	54'
0844607	7U1-RBCS	7"	24"	7"	11"	19"	48'
0844608	8U1-RBCS	8"	24"	8"	12"	19"	42'

**CEILING/CATHEDRAL SUPPORT EXTENSION**



Ceiling/Cathedral Support Extension - Square



Ceiling/Cathedral Support Extension - Round

- Used to extend the Ceiling/Cathedral Support for steeper pitch application
- Attaches easily to Ceiling/Cathedral Support
- Decorative matte black finish

Product #	Part #	Size	A	B
<b>SUPPORT EXTENSION - SQUARE - 1 Per Carton</b>				
0842906	6U1-CSES	6"	10.25"	24"
0842907	7U1-CSES	7"	11.25"	24"
0842908	8U1-CSES	8"	12.25"	24"
<b>SUPPORT EXTENSION - ROUND - 1 Per Carton</b>				
0844806	6U1-RBCSE	6"	10"	24"
0844807	7U1-RBCSE	7"	11"	24"
0844808	8U1-RBCSE	8"	12"	24"



## Supports continued

- Designed to be used as an Attic Insulation Shield only when the attic space is immediately above the ceiling support
- Provides 2" clearance to combustible
- Supplied with storm collar
- Will support up to 20 feet of chimney

Product #	Part #	Size	A	B
1 Per Carton				
0842406	6U1-SCSC	6"	12 <sup>3</sup> / <sub>8</sub> "	24"
0842407	7U1-SCSC	7"	13 <sup>3</sup> / <sub>8</sub> "	24"
0842408	8U1-SCSC	8"	14 <sup>3</sup> / <sub>8</sub> "	24"

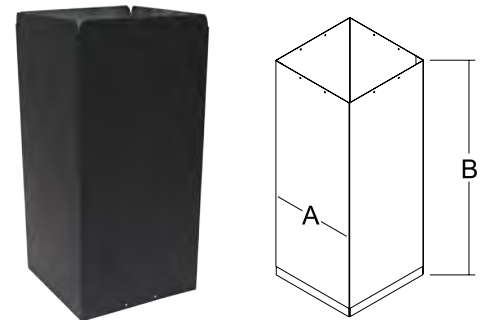
### SQUARE CEILING SUPPORT WITH ATTIC INSULATION SHIELD



- Used to extend the Square Ceiling Support with Attic Insulation Shield when the minimum height requirement cannot be attained
- Attaches easily to the Square Ceiling Support with Attic Insulation Shield

Product #	Part #	Size	A	B
1 Per Carton				
0842506	6U1-SCSE	6"	12 <sup>3</sup> / <sub>8</sub> "	24"
0842507	7U1-SCSE	7"	13 <sup>3</sup> / <sub>8</sub> "	24"
0842508	8U1-SCSE	8"	14 <sup>3</sup> / <sub>8</sub> "	24"

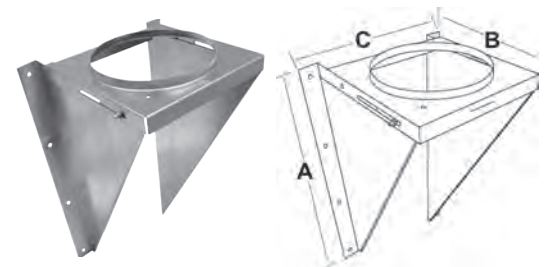
### SQUARE CEILING SUPPORT WITH ATTIC INSULATION SHIELD EXTENSION



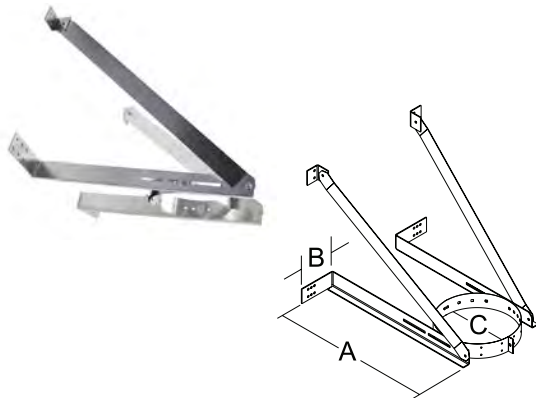
- Used to support the chimney system at the base of the installation when using an insulated tee where the chimney has a lateral connection
- Will support up to 62' of chimney
- Allows for an adjustment of 2" to 6" from a vertical wall
- Includes Base Plate, Wall Brackets and hardware

Product #	Part #	Size	A	B	C
1 Per Carton					
0812806	6U1-WSP	6"	17.1"	10.5"	14.7"
0812807	7U1-WSP	7"	17.1"	11.5"	14.7"
0812808	8U1-WSP	8"	17.1"	12.5"	14.7"

### WALL SUPPORT



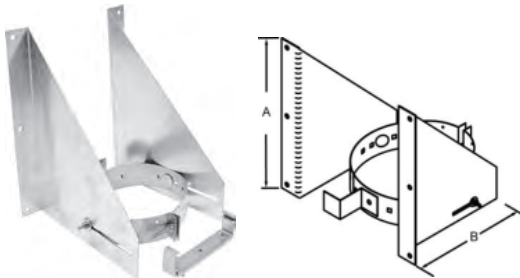
**UNIVERSAL EXTENDED WALL SUPPORT**



- Designed to support a vertical wall installation above the insulated tee
- Will support up to 28' of chimney
- Adjusts up to 12" from a vertical wall and will allow the chimney to pass by a 12" overhang
- \*Available in Stainless Steel construction

Product #	Part #	Size	A	B	C
1 Per Carton					
0800900	EWS	6" - 8"	22"	5"	8" - 10"
*0800900S	EWS-SS	6" - 8"	22"	5"	8" - 10"
*Stainless steel construction					

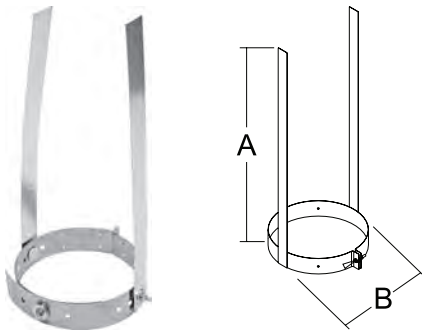
**UNIVERSAL WALL SUPPORT / RESUPPORT ASSEMBLY**



- Designed to support a vertical wall installation above the tee or above an offset
- Also serves as an intermediate support
- Will support 20' of 8" dia. chimney and 28' of 6" dia. chimney
- Pre-assembled to 6" diameter

Product #	Part #	Size	A	B
10 Per Carton				
0800200	U1-UWRSA	6" - 8"	14"	12 <sup>3</sup> / <sub>8</sub> "
A is the height of the leg support				

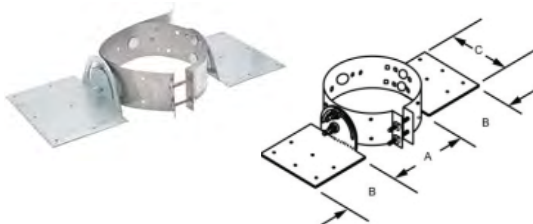
**UNIVERSAL INTERIOR RESUPPORT**



- Incorporates the flexibility to work on 6", 7", 8" diameters and is an excellent method for re-supporting chimney systems that have offsets or vertical runs that require additional support
- Straps are 18" in length
- Will support up to 26' of chimney

Product #	Part #	Size	A	B
10 Per Carton				
0800300	U1-UIRA	6" - 8"	18"	8", 9", 10"

**UNIVERSAL ROOF SUPPORT ASSEMBLY**



- Designed to provide support at the roof and adjusts to any roof pitch
- The Universal Band is pre-assembled for 6" diameter chimney but will also fit 7" and 8" chimneys
- Will support up to 30' of chimney; 20' of which can be suspended beneath it

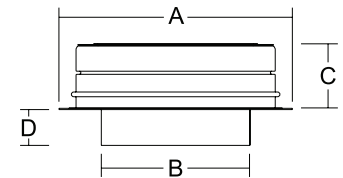
Product #	Part #	Size	A	B	C
1 Per Carton					
0800500	U1-URSA	6", 7", 8"	8", 9", 10"	5"	8"

## Supports continued

- Provides a secure attachment for adapting the UltimateONE chimney to a "Listed" Factory-Built Fireplace certified for use with UltimateONE. It also provides a connection from a masonry fireplace to UltimateONE.
- Includes Base Plate and Flue Extension
- Supports up to 60' of Chimney
- Stainless Steel construction

Product #	Part #	Size	A	B	C	D
1 Per Carton						
0819906	6U1-AP	6"	9.4"	5.9"	3.9"	1.5"
0819907	7U1-AP	7"	10.4"	6.9"	3.9"	1.5"
0819908	8U1-AP	8"	11.4"	7.9"	3.9"	1.5"

### ANCHOR PLATE

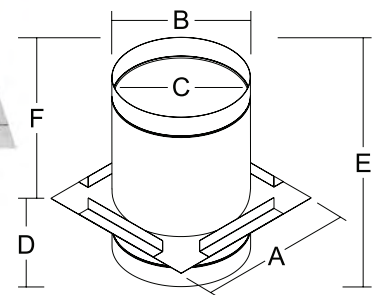


## Shields

- Required where the chimney passes from a lower living space into an upper living space and into an attic space
- Maintains the mandatory 2" clearance to combustibles provided by proper framing

Product #	Part #	Size	A	B	C	D	E	F
1 Per Carton								
0819006	6U1-JS	6"	14"	10.03"	8.5"	5"	18"	13"
0819007	7U1-JS	7"	15"	11.03"	9.5"	5"	18"	13"
0819008	8U1-JS	8"	16"	12.03"	10.5"	5"	18"	13"

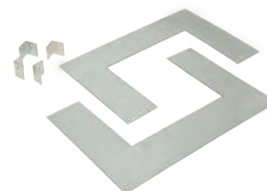
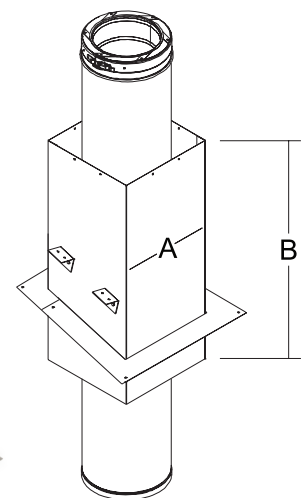
### FIRESTOP RADIATION / JOIST SHIELD



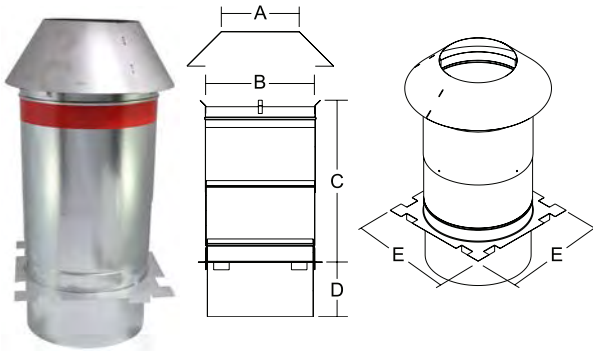
- Used to shield insulation when the chimney extends through a cathedral/sloped ceiling to the roof
- Provides a 2" clearance to combustibles
- Trim Plate acts as a firestop and is adjustable to accommodate any angle
- Extension available when greater coverage is required to reach roof level
- 6", 7" & 8" Sizes
- Kits include insulation shield, trim plate (2 U shape Pieces), support brackets and mounting hardware

Product #	Part #	Size	A	B
1 Per Carton				
0842706	6U1-CISS	6"	12 <sup>3</sup> / <sub>8</sub> "	24"
0842707	7U1-CISS	7"	13 <sup>3</sup> / <sub>8</sub> "	24"
0842708	8U1-CISS	8"	14 <sup>3</sup> / <sub>8</sub> "	24"

### CATHEDRAL INSULATION SHIELD



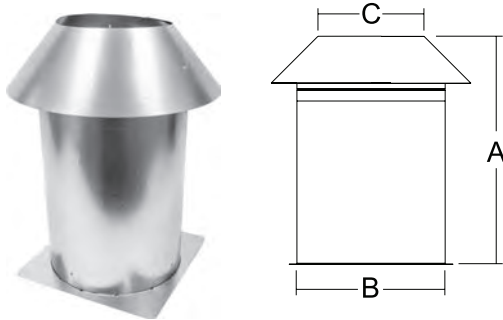
**ATTIC INSULATION SHIELD**



- Must be installed where the chimney enters the attic space in a ceiling supported (interior) installation
- Designed to keep insulation away from the chimney, and to maintain the mandatory 2" clearance to combustibles provided by proper framing
- Includes an AIS Collar
- Will adjust to allow for a depth of insulation up to 18.5"

Product #	Part #	Size	A	B	C	D	E
1 Per Carton							
0843406	6U1-AIS	6"	8"	12.2"	11" - 20"	7"	14"
0843407	7U1-AIS	7"	9"	13.2"	11" - 20"	7"	15"
0843408	8U1-AIS	8"	10"	14.2"	11" - 20"	7"	16"

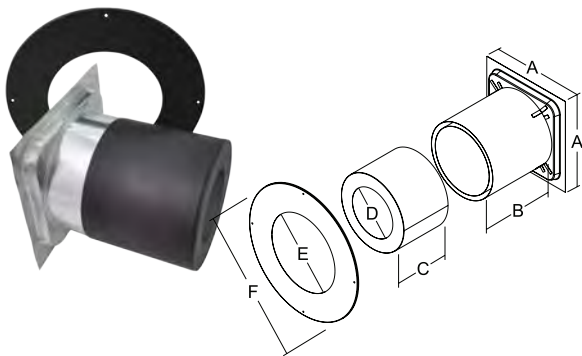
**ALTERNATE ATTIC INSULATION SHIELD**



- Can be used as a substitute instead of the regular AIS when a fully open attic is immediately above a Round Ceiling Support
- Fits perfectly over the Round Ceiling Support to allow the Supplemental Insulation Shielding to be installed
- Will adjust to allow for a depth of insulation up to 16.5"

Product #	Part #	Size	A	B	C
ALT ATTIC INSULATION SHIELD - 1 Per Carton					
0843506	6U1-AAIS	6"	18"	12"	8"
0843507	7U1-AAIS	7"	18"	13"	9"
0843508	8U1-AAIS	8"	18"	14"	10"

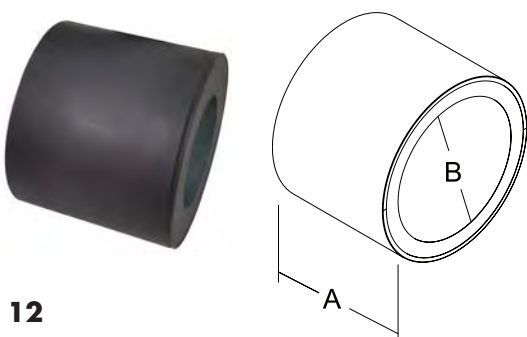
**INSULATED WALL THIMBLE**



- Required where the chimney passes horizontally through a combustible wall
- Will accommodate a wall thickness of 12"
- Adjustable Trim Cap in a decorative matte black finish
- Matte black finish Trim Collar
- Factory installed insulation between shields

Product #	Part #	Size	A	B	C	D	E	F
1 Per Carton								
0828706	6U1-IWT	6"	14"	12"	9"	6.2"	10.8"	19"
0828707	7U1-IWT	7"	15"	12"	9"	7.2"	11.8"	22"
0828708	8U1-IWT	8"	16"	12"	9"	8.2"	12.8"	22"

**DECORATOR SLEEVE**



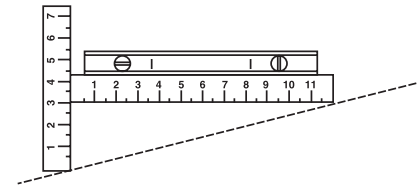
- Used to provide a decorative finish to the horizontal length within the room when passing through a non-combustible wall
- Adjustable Trim Cap in a decorative matte black finish

Product #	Part #	Size	A	B
1 Per Carton				
0817806	6U1-DS9	6"	8"	6.2"
0817807	7U1-DS9	7"	8"	7.2"
0817808	8U1-DS9	8"	8"	8.2"

## Flashings and Storm Collars

To determine what roof flashing you'll require, you must work out the pitch of your roof. To determine the pitch, you'll need two rulers and a level. Measure the number of inches from the end of the level down to the roof.

### ROOF FLASHING SELECTION CHART

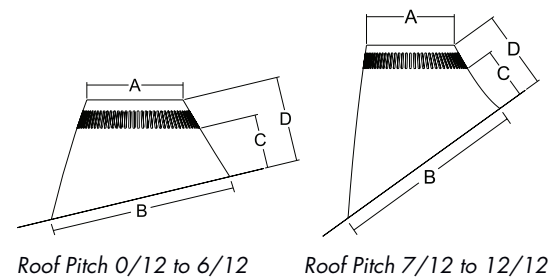
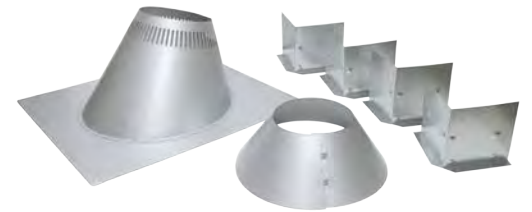


In this example the pitch is 3/12

- Special Vented Flashing
- Listed to CAN/ULC-S629
- Required for use in fully enclosed attic or exterior chase
- Used where the chimney passes through a roof with a pitch of 0/12 to 6/12 and 7/12 to 12/12
- Storm Collar and Roof Shield included

Product #	Part #	Size	A	B	C	D
<b>ROOF PITCH 0/12 TO 6/12 - 1 Per Carton</b>						
0843306	6U1-AF6-C	6"	9"	21"	6"	9.3"
0843307	7U1-AF6-C	7"	10"	21"	6"	9.3"
0843308	8U1-AF6-C	8"	11"	21"	6"	9.3"
<b>ROOF PITCH 7/12 TO 12/12 - 1 Per Carton</b>						
0843706	6U1-AF12-C	6"	9.3"	20.5"	6"	10"
0843707	7U1-AF12-C	7"	10.3"	22.3"	6"	10"
0843708	8U1-AF12-C	8"	11.3"	24"	6"	10"

### VENTED FLASHING ASSEMBLY



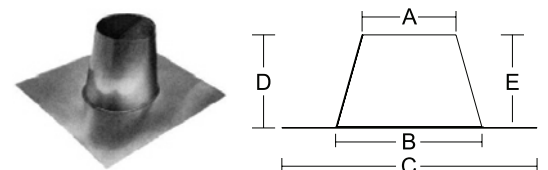
Roof Pitch 0/12 to 6/12

Roof Pitch 7/12 to 12/12

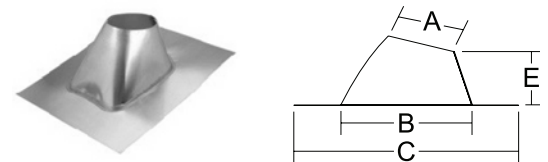
- Used where the chimney passes through a roof with a pitch of 0/12 to 2/12, 2/12 to 6/12 and 6/12 to 12/12
- Storm Collar included

Product #	Part #	Size	A	B	C	D	E
<b>ROOF PITCH 0/12 TO 2/12 - 1 Per Carton</b>							
Includes: Roof Shield							
0843106	6U1-JVTF	6"	8.5"	12.25"	24"	21.25"	10.2"
0843107	7U1-JVTF	7"	9.5"	15.75"	24.75"	24"	11"
0843108	8U1-JVTF	8"	10.5"	15.75"	27.75"	24"	10.7"
<b>ROOF PITCH 2/12 TO 6/12 - 1 Per Carton</b>							
0843206	6U1-JVAF6	6"	8.5"	16.5"	28.5"	24"	7.2"
0843207	7U1-JVAF6	7"	9.5"	16.5"	28.5"	24"	6.9"
0843208	8U1-JVAF6	8"	10.5"	20"	32"	27"	8.4"
<b>ROOF PITCH 6/12 TO 12/12 - 1 Per Carton</b>							
0843606	6U1-JVAF12	6"	8.5"	20"	32"	27"	6.5"
0843607	7U1-JVAF12	7"	9.5"	20"	32"	27"	7.4"
0843608	8U1-JVAF12	8"	10.5"	20"	32"	27"	5.6"

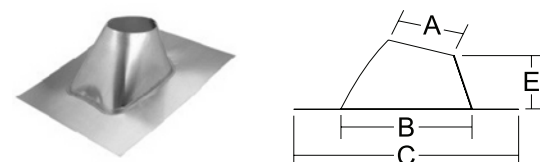
### NON-VENTED FLASHING ASSEMBLY



Roof Pitch 0/12 to 2/12



Roof Pitch 2/12 to 6/12

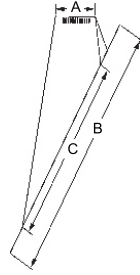


Roof Pitch 6/12 to 12/12

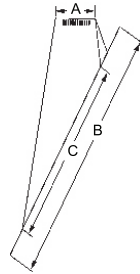
**FLASHING ASSEMBLY**



Roof Pitch 12/12 to 24/12



Roof Pitch 24/12 to 36/12



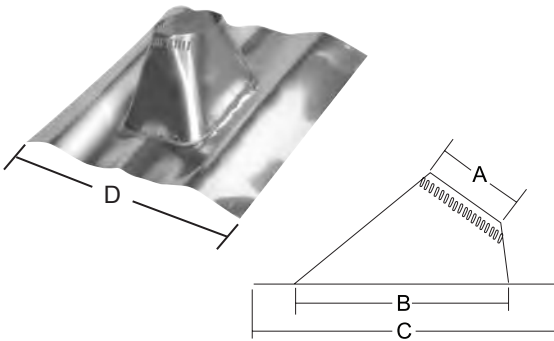
- Used where the chimney passes through a roof with a pitch of 12/12 to 24/12 and 24/12 to 36/12
- Safety Vents on flashing
- Storm Collar sold separately

Product #	Part #	Size	A	B	C
<b>ROOF PITCH 12/12 TO 24/12 - 1 Per Carton</b>					
206835	6TAF-24	6"	8 <sup>1</sup> / <sub>8</sub> "	28.9"	40.9"
207835	7TAF-24	7"	9 <sup>1</sup> / <sub>8</sub> "	31.3"	43.3"
208835	8TAF-24	8"	10 <sup>1</sup> / <sub>8</sub> "	33.4"	45.4"
<b>ROOF PITCH 24/12 TO 36/12 - 1 Per Carton</b>					
206840	6TAF-36	6"	8 <sup>1</sup> / <sub>8</sub> "	43.3"	53.3"
207840	7TAF-36	7"	9 <sup>1</sup> / <sub>8</sub> "	44.2"	56.3"
208840	8TAF-36	8"	10 <sup>1</sup> / <sub>8</sub> "	47.9"	59.9"

**DEAD SOFT FLASHING**

- Used on corrugated or tiled roofs
- Safety Vents on flashing
- Storm Collar sold separately

Product #	Part #	Size	A	B	C	D
<b>ROOF PITCH 2/12 TO 6/12 - 1 Per Carton</b>						
206845	6T-AF6D	6"	8 <sup>1</sup> / <sub>8</sub> "	16.5"	30"	33"
207845	7T-AF6D	7"	9 <sup>1</sup> / <sub>8</sub> "	16.5"	30"	33"
208845	8T-AF6D	8"	10 <sup>1</sup> / <sub>8</sub> "	19.9"	30"	33"
<b>ROOF PITCH 7/12 TO 12/12 - 1 Per Carton</b>						
206850	6T-AF12D	6"			32"	33"
207850	7T-AF12D	7"			32"	33"
208850	8T-AF12D	8"			32"	33"



**RUBBER BOOT FLASHING KITS (UNIV)**

- Used for installations on corrugated roofs with pitches flat to 12/12 except for 8" Chimney where 10/12 is max. pitch
- Kits include rubber boot, spacer kit, special storm collar and mounting hardware

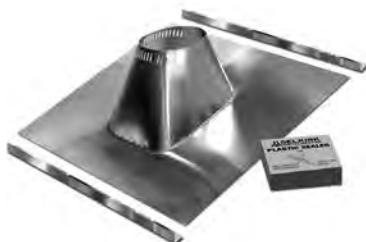
Product #	Part #	Size	Dimension
<b>1 Per Carton</b>			
200275	URBAK1	6" TO 8"	26 <sup>3</sup> / <sub>4</sub> " X 26 <sup>3</sup> / <sub>4</sub> "



**METAL ROOF FLASHING KIT (UNIV)**

- Used in conjunction with the above metal flashings to seal the opening when penetrating a corrugated metal roof
- Supplied with 2 - 90° bend metal strips (30" x 2" x 2") and grey sealant tape
- Flashing and Storm Collar sold separately

Product #	Part #	Size
<b>1 Per Carton</b>		
200280	URFK	6" TO 8"



## Flashings and Storm Collars *continued*

- Used in conjunction with roof flashing to weather proof the system
- Use with ULC-S629 Flashings (Models \*U1-AF6-C and \*U1-AF12-C)
- Asterisk denotes diameter: 6", 7" or 8"
- Storm Collar is tightened by adjusting tabs after proper positioning

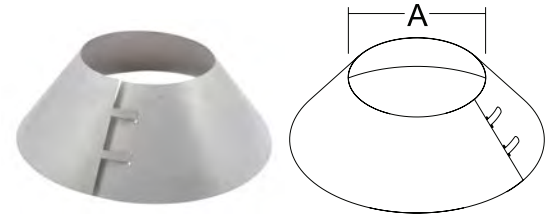
Product #	Part #	Size	A
10 Per Carton			
0814206	6U1-SC-C	6"	8"
0814207	7U1-SC-C	7"	9"
0814208	8U1-SC-C	8"	10"

- Used in conjunction with \*U1-UVTF / \*U1-UVAF6 / \*U1-UVAF12 / \*TAF-24 / \*TAF-36 / \*TAF6D roof flashings listed on pages 13 and 14 to weather proof the system
- Storm Collar is tightened by adjusting tabs after proper positioning

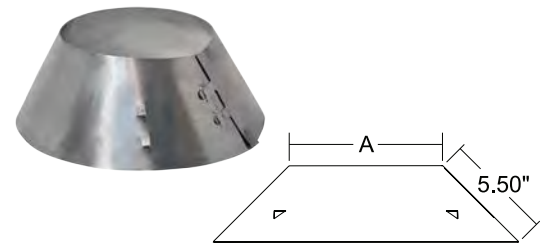
Product #	Part #	Size	A
10 Per Carton			
206810	5/6T-SC	6"	8"
208810	7/8T-SC	7"/8"	9"/10"

Product #	Part #	Size	Dimensions
3 Per Carton			
0843336	6U1 AF6SC-C	6"	Vented Flashing 0/12 - 6/12 w/SC ULC S629
0843337	7U1 AF6SC-C	7"	Vented Flashing 0/12 - 6/12 w/SC ULC S629
0843338	8U1 AF6SC-C	8"	Vented Flashing 0/12 - 6/12 w/SC ULC S629
0843736	6U1 AF12SC-C	6"	Vented Flashing 7/12 - 12/12 w/SC ULC S629
0843737	7U1 AF12SC-C	7"	Vented Flashing 7/12 - 12/12 w/SC ULC S629
0843738	8U1 AF12SC-C	8"	Vented Flashing 7/12 - 12/12 w/SC ULC S629
4 Per Carton			
0843136	6U1 UVTFSC	6"	Unvented Flashing Assy 0/12 - 2/12 pitch w/SC
0843137	7U1 UVTFSC	7"	Unvented Flashing Assy 0/12 - 2/12 pitch w/SC
0843138	8U1 UVTFSC	8"	Unvented Flashing Assy 0/12 - 2/12 pitch w/SC
0843236	6U1 UVAF6SC	6"	Unvented Flashing Assy 2/12 - 6/12 pitch w/SC
0843237	7U1 UVAF6SC	7"	Unvented Flashing Assy 2/12 - 6/12 pitch w/SC
0843238	8U1 UVAF6SC	8"	Unvented Flashing Assy 2/12 - 6/12 pitch w/SC
0843636	6U1 UVAF12SC	6"	Unvented Flashing Assy 6/12 - 12/12 pitch w/SC
0843637	7U1 UVAF12SC	7"	Unvented Flashing Assy 6/12 - 12/12 pitch w/SC
0843638	8U1 UVAF12SC	8"	Unvented Flashing Assy 6/12 - 12/12 pitch w/SC

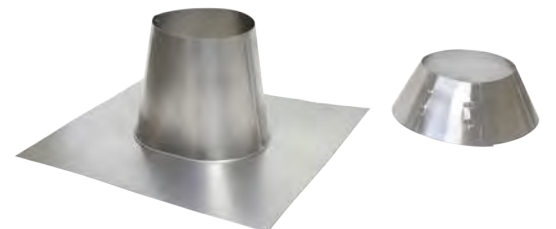
### STORM COLLAR - CANADA ONLY



### STORM COLLAR - (FOR REGULAR FLASHINGS)

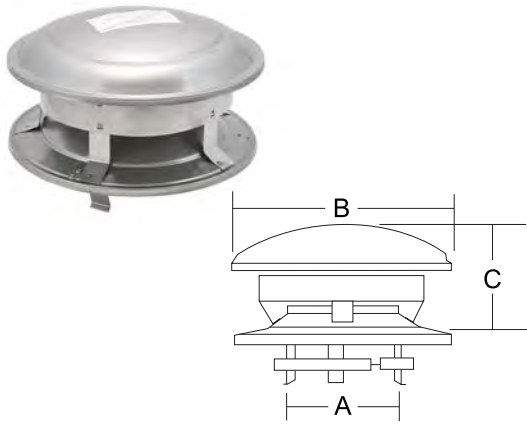


### FLASHING - STORM COLLAR COMBO PACKS



Unvented Flashing

## ROUND TOP TERMINATION CAP - STAINLESS STEEL



- Part of the chimney system roof assembly, the Round Top is designed with a dome to exclude rain and leaves and a lower skirt to deflect wind for proper chimney draft
- The Round Top is designed with three legs that slide down over the outside of the chimney. A cinch band is then positioned over the legs and tightened to hold the top firmly in place. This design makes cap removal for cleaning a breeze.
- Made of stainless steel
- Inner liner also available in 316 stainless steel 6" diameter.

Product #	Part #	Size	A	B	C
1 Per Carton					
0827606 0827606-316	6U1-CT 6U1-CT-316	6"	8"	12"	5.5"
0827607	7U1-CT	7"	9"	14"	6.3"
0827608	8U1-CT	8"	10"	16"	7"



## Parts and Accessories

- Corrosion resistant diamond mesh Stainless Steel
- Preformed
- Slip over the dome of the Round Top

Product #	Part #	Size
1 Per Carton		
206791	6T-USA	6"
207791	7T-USA	7"
208791	8T-USA	8"

- Used to fit over lower end of suspended insulated chimney pipe to provide finished appearance
- Matte black finish

Product #	Part #	Size	A	B
4 Per Carton				
206480	6T-FC	6"	6.3"	8"
207480	7T-FC	7"	7.3"	9"
208480	8T-FC	8"	8.3"	10"

- For transition from black stove pipe to UltimateONE chimney
- Includes pipe stub and retainer ring
- Inner liner also available in 316 stainless steel 6" diameter.

Product #	Part #	Size	A	B
1 Per Carton				
0819806	6U1-SPA	6"	3.7"	6"
0819806-316	6U1-SPA-316			
0819807	7U1-SPA	7"	3.7"	7"
0819808	8U1-SPA	8"	3.7"	8"

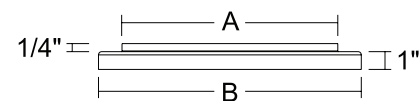
- Used to trim ceiling, closing off the airspace around the pipe when the chimney is supported from above and extended down into the room.
- Used in conjunction with an Attic Insulation Shield
- Black matte finish

Product #	Part #	Size	A	B	C
1 Per Carton					
206488	6UT-TPS	6"	19"	12"	8.1"
207488	7UT-TPS	7"	21"	13"	9.1"
208488	8UT-TPS	8"	22"	14"	10.1"

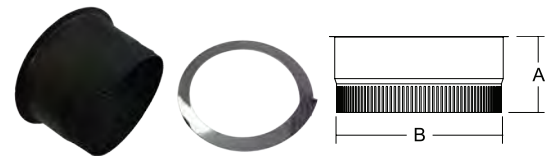
### SPARK ARRESTER



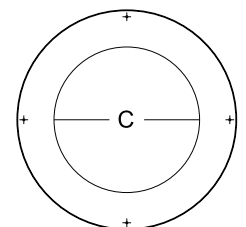
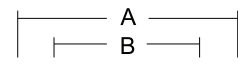
### FINISHING COLLAR



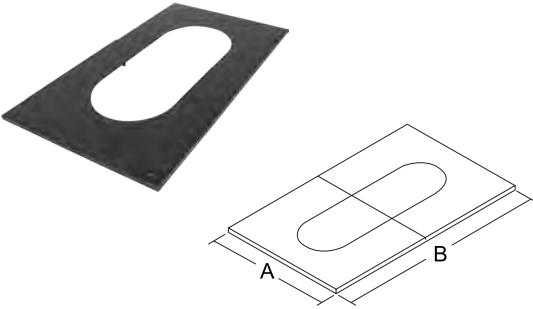
### SMOKE PIPE ADAPTOR



### TRIM PLATE CEILING SPACER - USA ONLY



**ADJUSTABLE PITCHED CEILING PLATE - USA ONLY**



- Pitched Ceiling Plate provides a finished appearance where the chimney passes through a sloped ceiling
- Only two parts required to fit the full range of pitches
- Black matte finish

Product #	Part #	Size	A	B
<b>CEILING PITCH 0/12 TO 6/12 - 1 Per Carton</b>				
206512	6UT-PCPAJ	6"	16.5"	19" - 30"
207512	7UT-PCPAJ	7"	17.5"	20" - 31"
208512	8UT-PCPAJ	8"	18.5"	21" - 33"
<b>CEILING PITCH 7/12 TO 12/12 - 1 Per Carton</b>				
206514	6UT-PCPAJ2	6"	16.5"	19" - 30"
207514	7UT-PCPAJ2	7"	17.5"	20" - 31"
208514	8UT-PCPAJ2	8"	18.5"	21" - 33"

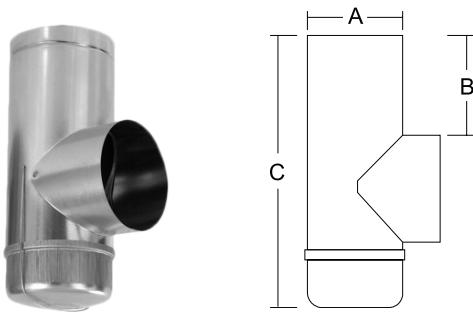
**ROUND TRIM COLLAR**



- Used to close off space around pipe in an Installed Wall Thimble installation
- Matte black finish

Product #	Part #	Size	A	B
<b>1 Per Carton</b>				
0843806	6U1-TC	6"	19"	10.9"
0843807	7U1-TC	7"	22"	11.9"
0843808	8U1-TC	8"	22"	12.9"

**CLEANOUT TEE**



- Always situated in a room with heating appliance
- Cap on bottom can be removed for easy cleaning
- Stainless steel construction

Product #	Part #	Size	A	B	C
<b>4 Per Carton</b>					
0514706	6CF-CA	6"	6"	13.5"	24"
0514707	7CF-CA	7"	7"	13.5"	25"
0514708	8CF-CA	8"	8"	13.5"	26"

**REPLACEMENT TEE CAP FOR CLEANOUT TEE**



Product #	Part #	Size
<b>10 Per Carton</b>		
0850606	6UI-STC	6"
0850607	7UI-STC	7"
0850608	8UI-STC	8"

## Parts and Accessories continued

- Provides lateral support for the chimney when installed adjacent to a wall
- Provides more than 4" of horizontal adjustability to clear some overhangs and obstructions
- Required at 8 foot or closer intervals to stabilize the chimney, whenever it is supported along a vertical wall

Product #	Part #	Size	A	B	C
10 Per Carton					
0800700	U1-UWB	Universal	8", 9" & 10"	17"	4"
*0800700S	U1-UWBSS	Universal	8", 9" & 10"	17"	4"
*Stainless steel construction					

- Provides lateral support for the chimney when installed adjacent to a wall.
- Maintains the mandatory 2" clearance to combustibles
- Required at 8 foot or closer intervals to stabilize the chimney, whenever it is supported along a vertical wall
- Stainless steel

Product #	Part #	Size	A	B
10 Per Carton				
0818806	6U1-WB	6"	8.1"	17"
0818807	7U1-WB	7"	9.1"	17"
0818808	8U1-WB	8"	10.1"	17"

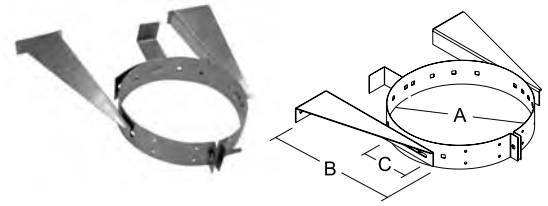
- Used to secure tee cap on the bottom side of Insulated Tee when suspended
- Adjusts to fit all chimney diameters

Product #	Part #	Size
4 Per Carton		
2002530	UTCR	6" to 8"

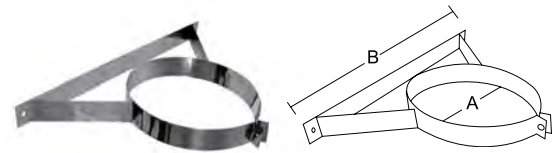
- Designed to provide extra stability for chimney system above roof line
- Required when the chimney extends 5 feet or more above the roof. Use one kit every 5 feet.
- Telescoping legs can adjust from 5' to 9'
- Support band adjusts to fit 6", 7", and 8" chimney

Product #	Part #	Size
1 Per Carton		
0843900	HDRBK	6" to 8"

### UNIVERSAL WALL BAND



### WALL BAND



### UNIVERSAL TEE CAP RETAINER



### HD UNIVERSAL ROOF BRACE KIT



**SNOW SPLITTER ASSEMBLY**



- Designed to deflect snow and ice while preventing unnecessary strain or damage to chimney
- Mounts directly above chimney pipe with easy panel assembly
- Made from heavy gauge galvanized steel

Product #	Part #	Size
1 Per Carton		
2001922	USSA	6" to 8"

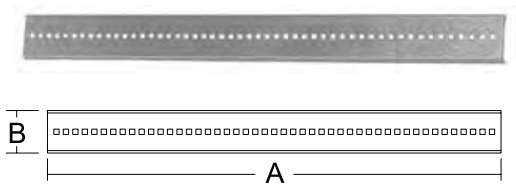
**UNIVERSAL SHIELDING INSULATION**



- The SUSI protects building materials against radiant heat from the chimney and helps maintain temperatures within the chimney system.
- The SUSI also reduces air infiltration into the house.

Product #	Part #	Size
1 Per Carton		
0522908	SUSI	Universal

**UNIVERSAL WALL CHANNEL**



- The use of one or more Wall Channels will simplify the installation of the Extended Wall Support, Universal Wall Re-Support or Wall Band when framing members are not within range
- 26" in length to allow for 24" on center construction

Product #	Part #	A	B
10 Per Carton			
0800800	WC	24"	2¼"

## Components Specific to Canada Only

- Used only when the chimney is enclosed within living spaces and when the chimney is enclosed in an attic space  
NOTE: Not required in an enclosed exterior chase
- Ideal for straight up installation
- Telescoping Length from 43" to 103"
- NOTE: Not required when UltimateONE is used to vent an oil or a gas burning appliance even when the chimney is enclosed.

Product #	Part #	Size	A	B	C	D
1 Per Carton						
0850106	6U1-RSRS	6"	9.9"	10.5"	10.3"	10.1"
0850107	7U1-RSRS	7"	10.9"	11.5"	11.3"	11.1"
0850108	8U1-RSRS	8"	11.9"	12.5"	12.3"	12.1"

- Used only when the chimney is enclosed within a living space  
NOTE: Not required in an enclosed exterior chase
- Shield held together using supplied screws and comes in two separate pieces
- NOTE: Not required when UltimateONE is used to vent an oil or a gas burning appliance even when the chimney is enclosed.

Product #	Part #	Size	A	B	C	D
1 Per Carton						
0850206	6U1-RSRST	6"	13.5"	10"	7.0"	5.8"
0850207	7U1-RSRST	7"	14.7"	11"	7.5"	6.4"
0850208	8U1-RSRST	8"	16.0"	12"	8.0"	7.0"

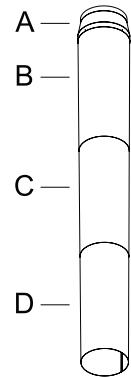
- Used only when the chimney is enclosed within living spaces and when the chimney is enclosed in an attic space  
NOTE: Not required in an enclosed exterior chase
- Ideal for offset installation but can also be used in lieu of the Rigid Supplemental radiation Shield
- Flexible Length from 26" to 78" (packed 2 per carton)
- NOTE: Not required when UltimateONE is used to vent an oil or a gas burning appliance even when the chimney is enclosed.

Product #	Part #	Size	A	B	C
2 Per Carton					
0850006	6U1-FSRS	6"	10"	9.9"	26" to 78"
0850007	7U1-FSRS	7"	11"	10.9"	26" to 78"
0850008	8U1-FSRS	8"	12"	11.9"	26" to 78"

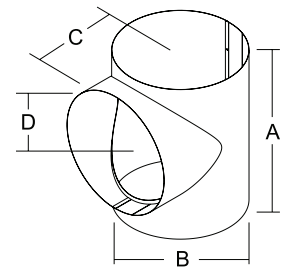
- Shield Transition Pieces provide a smooth connection from a square support to a round supplemental shield.

Product #	Part #	Size
1 Per Carton		
0850300	U1-STP	

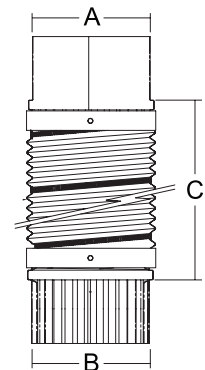
### RIGID SUPPLEMENTAL RADIATION SHIELD - ENCLOSED CHIMNEY SYSTEM - CANADA ONLY



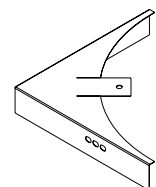
### SUPPLEMENTAL RADIATION SHIELD - RIGID TEE - CANADA ONLY



### FLEXIBLE SUPPLEMENTAL RADIATION SHIELD - CANADA ONLY



### SHIELD TRANSITION PIECE (4)



The following are four basic Chimney Kits designed around one of the standard support systems. Select the kit that is best suited for your installation along with the required Chimney Lengths to reach your desired height and a suitable Adjustable Flashing from our vast selection. Other components may be required such as Elbows, Firestop Radiation/Joist shields, Universal Roof Brace Kit, etc.

### CEILING/CATHEDRAL SUPPORT KIT



Support Kit Square



Support Kit Round

These kits provide the support and termination parts required for a chimney system that is supported by a flat or cathedral ceiling and passes through an attic area and penetrates the roof

Product #	Part #	Size	Parts Included in Kit
<b>SUPPORT KIT - SQUARE - 1 Per Carton</b>			
0842206	6U1-SCSK	6"	<ul style="list-style-type: none"> <li>• Attic Insulation Shield (AIS)</li> <li>• Ceiling/Cathedral Support - Square (SBCS)</li> <li>• Round Top Termination Cap (CT)</li> <li>• Smoke Pipe Adapter (SPA)</li> </ul>
0842207	7U1-SCSK	7"	
0842208	8U1-SCSK	8"	
<b>SUPPORT KIT - ROUND - 1 Per Carton</b>			
0844706	6U1-CSK	6"	<ul style="list-style-type: none"> <li>• Attic Insulation Shield (AIS)</li> <li>• Ceiling/Cathedral Support - Round (RBCS)</li> <li>• Round Top Termination Cap (CT)</li> <li>• Smoke Pipe Adapter (SPA)</li> </ul>
0844706-316	6U1-CSK-316	6"	
0844707	7U1-CSK	7"	
0844708	8U1-CSK	8"	

### WALL SUPPORT KIT



This kit is used for a wall-supported chimney system with a horizontal connection passing through an exterior wall, connecting to an Insulated Tee and running vertically up the exterior wall to terminate above the roof line.

Product #	Part #	Size	Parts Included in Kit
<b>1 Per Carton</b>			
0829806	6U1-WSK	6"	<ul style="list-style-type: none"> <li>• Wall Support (WSP)</li> <li>• Insulated Tee w/Insulated Tee Cap (IT)</li> <li>• Insulated Wall Thimble (IWT)</li> <li>• Wall Band (WB)</li> <li>• Smoke Pipe Adapter (SPA)</li> <li>• Round Top Termination Cap (CT)</li> </ul>
0829806-316	6U1-WSK-316	6"	
0829807	7U1-WSK	7"	
0829808	8U1-WSK	8"	

### EXTENDED WALL SUPPORT KIT



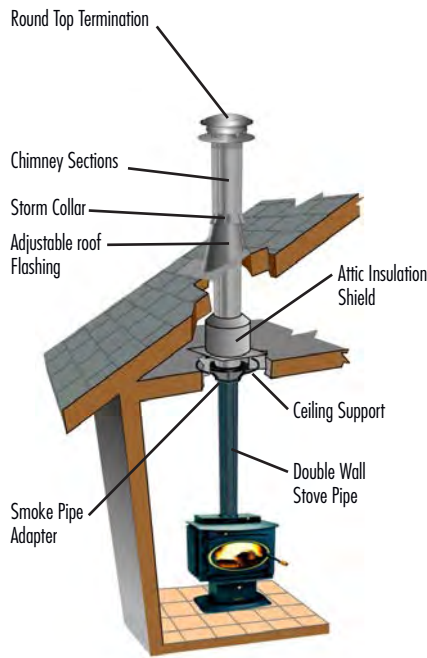
This kit is used for a through-the-wall installation to support a vertical system above the Insulated Tee. It allows the chimney to pass by a 12" overhang but will not work if installation is less than 5-1/2" from a vertical wall.

Product #	Part #	Size	Parts Included in Kit
<b>1 Per Carton</b>			
0829906	6U1-EWSK	6"	<ul style="list-style-type: none"> <li>• Extended Wall Support (EWT)</li> <li>• Insulated Tee w/Insulated Tee Cap (IT)</li> <li>• Insulated Wall Thimble with Trim Collar (IWT)</li> <li>• Wall Band (WB)</li> <li>• Smoke Pipe Adapter (SPA)</li> <li>• Round Top Termination Cap (CT)</li> <li>• Tee Cap Retainer</li> </ul>
0829907	7U1-EWSK	7"	
0829908	8U1-EWSK	8"	

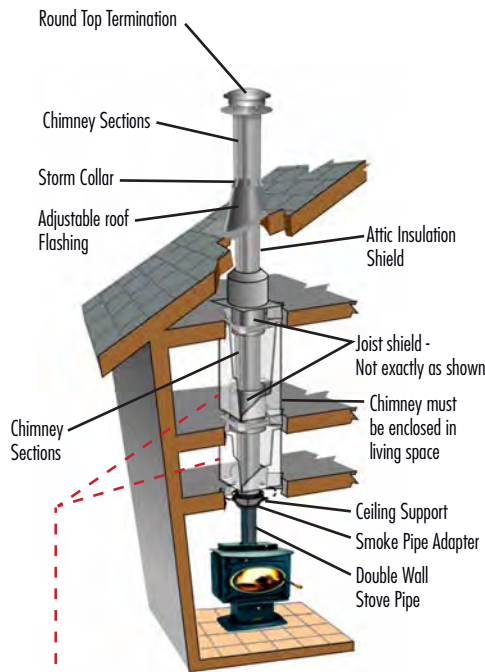
# Typical Installation

## CEILING SUPPORT INSTALLATIONS

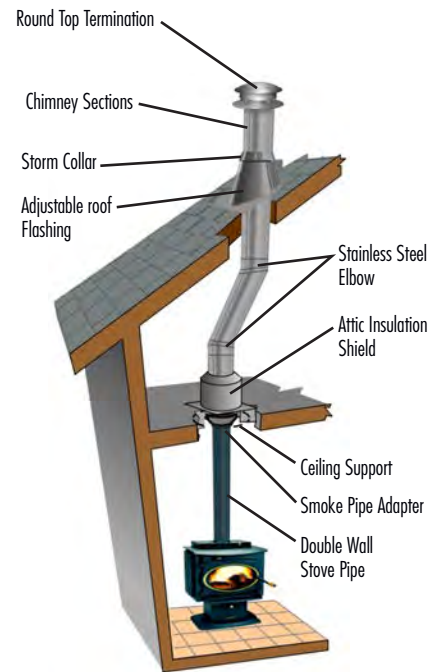
### One Story



### Two Story



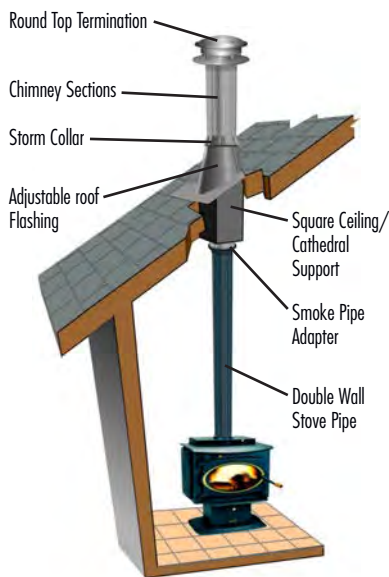
### Elbow Installation



NOTE: An installation in Canada will require a Supplemental Radiation Shield where the chimney system is enclosed in living or attic spaces

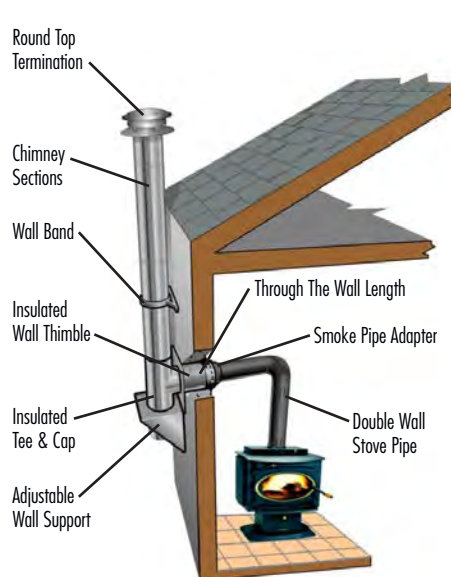
## CEILING SUPPORT INSTALLATIONS

### With Square Ceiling/Cathedral Support

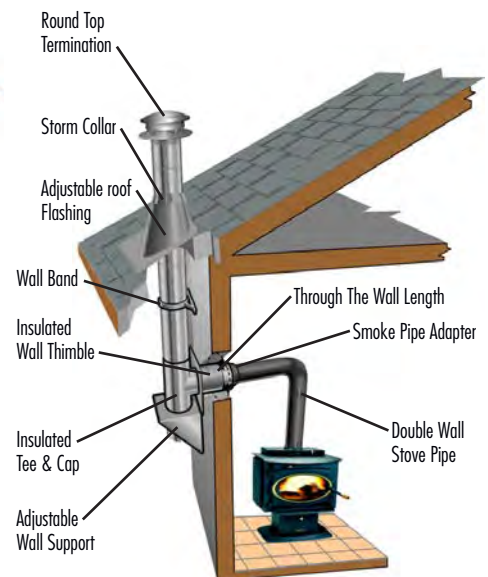


## WALL SUPPORT INSTALLATIONS

### One Story



### Through a Soffit



**USE DCC STOVE PIPE FOR OPTIMUM SYSTEM PERFORMANCE**

Note: Technical data, photographs, drawings and installations may vary and are for reference only. Actual installations must be conducted according to the data and drawings shown in the installation instructions.



RESIDENTIAL AND COMMERCIAL: VENT | CHIMNEY | GRILLES | REGISTERS | DIFFUSERS

United States  
5030 Corporate Exchange Blvd.  
Grand Rapids, MI 49512

1.800.992.VENT (8368)  
info@selkirkcorp.com



[selkirkcorp.com](http://selkirkcorp.com)

Canada  
375 Green Road  
Stoney Creek, ON L8E 4A5

1.888.SELKIRK (735.5475)  
cscanada@selkirkcorp.com