



ZDV3318 & ZCV3622

ZERO CLEARANCE DIRECT VENT GAS FIREPLACE



THE ULTIMATE IN DESIGN, ENGINEERING & QUALITY

Model ZCV3622N Zero Clearance Direct Vent Natural Gas Fireplace, LOGC51 Oak Log Set, ZCV3622ML Metal Brick Liner, and ZCV36S1BL Surround (Hearth Mount – Black).



ZDV3318 & ZCV3622

ZERO CLEARANCE DIRECT VENT
GAS FIREPLACE

Take advantage of
the fully dedicated
Clean View Unit!

Enjoy the elegance and warmth of glowing embers and dancing flames around our traditional oak log set. It is sure to be the focal point of your home.

Choose from a variety of decorative options to create your own distinctive appearance and be assured of complete safety, comfort and long lasting value. With a fully sealed combustion chamber there is no pollution spillage to depreciate the indoor air quality of your home.



Model ZCV3622N Zero Clearance Direct Vent Natural Gas Fireplace, LOGC51 Oak Log Set, ZCV3622PRL Porcelain Reflective Liners.

STANDARD FEATURES*

- Hi/low Millivolt or IPI valve system, will operate during power failures
- Proprietary burner, with realistic burn
- Mobile Home, Bedroom and Bed Sitting Room approved
- Safety Screen Barrier

OPTIONAL FEATURES

Designer Clean View Circulating Kit (ZDV3318 only)
No louvers required

Grills (ZDV3318 only)
Available in Black

Surround – Hearth Mount, Black (ZDV3318 only)
Coverage: 31 3/16" H x 36 5/8" W

Surround – Hearth Mount, Black (ZCV3622 only)
Coverage: 39" W x 34 1/16" H

Surround – Flat, Black (ZCV3622 only)
Coverage: 37 1/4" H x 40 7/8" W

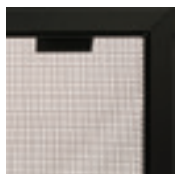
Fan Kit
Heat activated with variable speed control

Wall Mount Thermostat
Standard On/Off or Programmable
5 day (weekday) and 2 day (weekend)

Remote Control
On/Off, Thermostat On/Off, Thermostat On/Off modulating

Liners
Porcelain Reflective Liner, Metal Brick Liner

Log Set
LOGC50 Oak Log Set (ZDV3318 only)
LOGC51 Oak Log Set (ZCV3622 Only)



Safety Screen Barrier



THE ULTIMATE IN DESIGN, ENGINEERING & QUALITY

CLEAN VIEW OR LOUVERED FIREPLACES

| Model | ZDV3318N ZDV3318NE | ZDV3318LP ZDV3318LPE | ZCV3622N ZCV3622NE | ZCV3622LP ZCV3622LPE |
|---------------|-----------------------|-------------------------|-----------------------|-------------------------|
| Fuel | Natural | Propane | Natural | Propane |
| Input Max. | 19,000 BTU | 18,000 BTU | 18,000 BTU | 18,000 BTU |
| Input Min. | 12,100 BTU | 11,900 BTU | 13,000 BTU | 15,000 BTU |
| FE (P.4.1-15) | 51.72% / 54.25% | 55.49% / 57.91% | 60.54% / 63.46% | 62.09% / 65.09% |

UNIT AND FRAMING SPECIFICATIONS (IN.)

| Top Flue Models | Height Actual | Height Framing | Width Actual | Width Framing | Depth Actual | Depth Framing |
|-----------------|---------------|----------------|--------------|---------------|--------------|---------------|
|-----------------|---------------|----------------|--------------|---------------|--------------|---------------|

LOUVERS (ZDV3318 model only)

| | | | | | | |
|---------|----------------------------------|-----|----------------------------------|-----|----------------------------------|----------------------------------|
| ZDV3318 | 30 ¹ / ₂ " | 31" | 32 ³ / ₈ " | 33" | 15 ³ / ₄ " | 15 ¹ / ₄ " |
|---------|----------------------------------|-----|----------------------------------|-----|----------------------------------|----------------------------------|

CLEAN VIEW

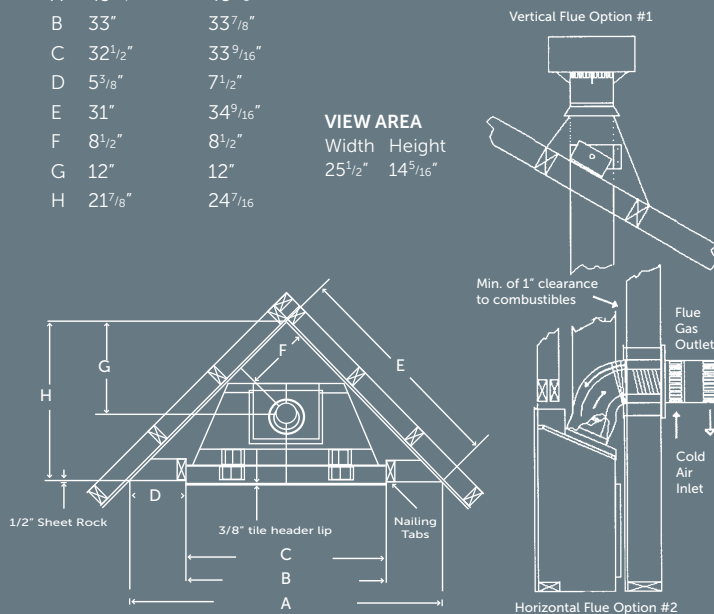
| | | | | | | |
|----------|----------------------------------|----------------------------------|-----------------------------------|----------------------------------|-----------------------------------|----------------------------------|
| ZDV3318* | 30 ³ / ₈ " | 33 ³ / ₈ " | 33 ⁹ / ₁₆ " | 33 ⁷ / ₈ " | 18 ³ / ₁₆ " | 17 ³ / ₄ " |
| ZCV3622 | 33 ¹ / ₂ " | 37 ¹ / ₄ " | 36" | 36 ³ / ₈ " | 17 ⁷ / ₁₆ " | 17 ¹ / ₂ " |

*ZDV3318 and Z33CVCK Clean View Kit

ZDV3318 LOUVERED CLEAN VIEW

| | | |
|---|----------------------------------|-----------------------------------|
| A | 43 ³ / ₄ " | 48 ⁷ / ₈ " |
| B | 33" | 33 ⁷ / ₈ " |
| C | 32 ¹ / ₂ " | 33 ⁹ / ₁₆ " |
| D | 5 ³ / ₈ " | 7 ¹ / ₂ " |
| E | 31" | 34 ⁹ / ₁₆ " |
| F | 8 ¹ / ₂ " | 8 ¹ / ₂ " |
| G | 12" | 12" |
| H | 21 ⁷ / ₈ " | 24 ⁷ / ₁₆ " |

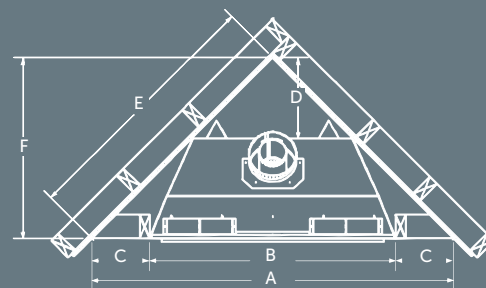
VIEW AREA
Width Height
25¹/₂" 14⁵/₁₆"



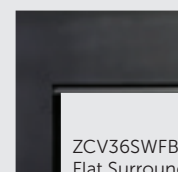
ZCV3622

| | |
|---|----------------------------------|
| A | 53 ¹ / ₂ " |
| B | 36 ³ / ₈ " |
| C | 8 ⁹ / ₁₆ " |
| D | 12" |
| E | 37 ⁷ / ₈ " |
| F | 26 ³ / ₄ " |

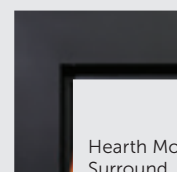
VIEW AREA
Width Height
29³/₄" 18⁵/₈"



SURROUND OPTIONS



ZCV36SWFBL
Flat Surround



Hearth Mount
Surround

Model ZDV3318N Zero Clearance Direct Vent Natural Gas Fireplace, LOGC50 Oak Log Set, VI30GBL Black Grill Kit.



2340 Logan Avenue
Winnipeg, Manitoba, Canada R2R 2V3
Phone: (204) 632-1962 Fax: (204) 632-1960
www.kingsmanfireplaces.com

Enjoy an incredible line of options and styles – from contemporary to classic – plus the beauty and pleasure of a cozy fire.



Canada

ENERGUIDE

Look for the **EnerGuide**
Gas Fireplace Energy
Efficiency Rating in this brochure

Based on CSA P.4.1-15

Model ZCV3622N Zero Clearance Direct Vent Natural Gas Fireplace, LOGC51 Oak Log Set, ZCV36SWFBL Flat Surround (Black), ZCV3622PRL Porcelain Reflective Liners.



*Components may have to be ordered separately to create a complete unit. Discuss with your local Kingsman dealer for clarification.
Kingsman Fireplaces maintains a program of continuous testing, refinement and improvements of all its products. Some aspect of units shown here may be changed at any time without notice or obligation. Certified to: ANSI Z21.88-2017 • CSA 2.33-2017 Vented Gas Fireplace Heaters, CSA 2.17-2017



FOR CALIFORNIA RESIDENTS ONLY:
WARNING! This product can expose you to chemicals including Carbon Monoxide, that is an externally vented by-product of fuel consumption, which is [are] known to the State of California to cause birth defects or other reproductive harm. For more information, visit www.P65Warnings.ca.gov.



CRAFTED ENTIRELY IN CANADA, EACH KINGSMAN FIREPLACE IS BUILT TO THE HIGHEST STANDARDS AND MADE TO LAST.

Printed in Canada
01/2020 – B089